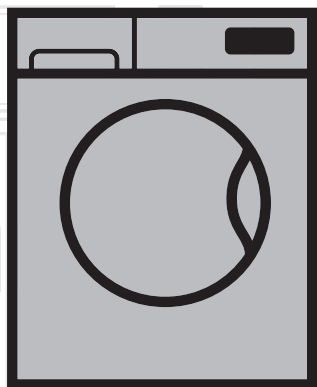


# Washing Machine

## User's Manual



WMI 71242

EN | CZ

Document Number= 2820523261\_EN / 04-03-16.(16:39)

**beko**



This product was manufactured using the latest technology in environmentally friendly conditions.

---

# **1 Important instructions for safety and environment**

---

This section contains safety instructions that will help protect from risk of personal injury or property damage. Failure to follow these instructions shall void any warranty.

## **1.1 General safety**

- This product can be used by children at and above 8 years old and by persons whose physical, sensory or mental capabilities were not fully developed or who lack experience and knowledge provided that they are supervised or trained on the safe usage of the product and the risks it brings out. Children must not play with the product. Cleaning and maintenance works should not be performed by children unless they are supervised by someone. Children of less than 3 years should be kept away unless continuously supervised.
- Never place the product on a carpet-covered floor. Otherwise, lack of airflow beneath the machine will cause electrical parts to overheat. This will cause problems with your product.
- If the product has a failure, it should not be operated unless it is repaired by the Authorized Service Agent. There is the risk of electric shock!
- This product is designed to resume operating in the event of powering on after a power interruption. If you wish to cancel the programme, see "Cancelling the programme" section.
- Connect the product to a grounded outlet protected by a 16 A fuse. Do not neglect to have the grounding installation made by a qualified electrician. Our company shall not be liable for any damages that will arise when the product is used without grounding in accordance with the local regulations.
- The water supply and draining hoses must be securely fastened and remain undamaged. Otherwise, there is the risk of water leakage.
- Never open the loading door or remove the filter while there is still water in the drum. Otherwise, risk of flooding and injury from hot water will occur.
- Do not force open the locked loading door. The loading door will be ready to open just a few minutes after the washing cycle comes to an end. In case of forcing the loading door to open, the door and the lock mechanism may get damaged.
- Unplug the product when not in use.
- Never wash the product by spreading or pouring water onto it! There is the risk of electric shock!
- Never touch the plug with wet hands! Never unplug by pulling on the cable, always pull out by grabbing the plug.
- Use detergents, softeners and supplements suitable for automatic washing machines only.
- Follow the instructions on the textile tags and on the detergent package.
- The product must be unplugged during installation, maintenance, cleaning and repairing procedures.
- Always have the repairing procedures carried out by the Authorized Service Agent. Manufacturer shall not be held liable for damages that may arise from procedures carried out by unauthorized persons.


- If the power cable is damaged, it must be replaced by the manufacturer, after sales service or a similarly qualified person (preferably an electrician) or someone designated by the importer in order to avoid possible risks.
- Place the product on a rigid, flat and level surface.
- Do not place it on a long-pile rug or similar surfaces.
- Do not place the product on a high platform or near the edge on a cascaded surface.
- Do not place the product on the power cable.
- Never use sponge or scrub materials. These will damage the painted, chrome plated and plastic surfaces.

## 1.2 Intended use

- This product has been designed for domestic use. It is not suitable for commercial use and it must not be used out of its intended use.
- The product must only be used for washing and rinsing of laundry that are marked accordingly.
- The manufacturer waives any responsibility arisen from incorrect usage or transportation.

## 1.3 Children's safety

- Packaging materials are dangerous to children. Keep packaging materials in a safe place away from reach of the children.
- Electrical products are dangerous for the children. Keep children away from the product when it is in use. Do not let them to tamper with the product. Use child lock to prevent children from intervening with the product.
- Do not forget to close the loading door when leaving the room where the product is located.
- Store all detergents and additives in a safe place away from the reach of the children by closing the cover of the detergent container or sealing the detergent package.

	<p>While washing the laundry at high temperatures, the loading door glass becomes hot. Therefore, keep especially the children away from the loading door of the machine while the washing operation is in progress.</p>
---	--

## 1.4 Package information

- Packaging materials of the product are manufactured from recyclable materials in accordance with our National Environment Regulations. Do not dispose of the packaging materials together with the domestic or other wastes. Take them to the packaging material collection points designated by the local authorities.

## 1.5 Disposing of the waste product

- This product has been manufactured with high quality parts and materials which can be reused and are suitable for recycling. Therefore, do not dispose the product with normal domestic waste at the end of its service life. Take it to a collection point for the recycling of electrical and electronic equipment. Please consult your local authorities to learn the nearest collection point. Help protect the envi-

ronment and natural resources by recycling used products. For children's safety, cut the power cable and break the locking mechanism of the loading door so that it will be non-functional before disposing of the product.

## 1.6 Compliance with WEEE Directive



This product complies with EU WEEE Directive (2012/19/EU). This product bears a classification symbol for waste electrical and electronic equipment (WEEE).

This product has been manufactured with high quality parts and materials which can be reused and are suitable for recycling. Do not dispose of the waste product with normal domestic and other wastes at the end of its service life. Take it to the collection center for the recycling of electrical and electronic equipment. Please consult your

local authorities to learn about these collection centers.

### Compliance with RoHS Directive:

The product you have purchased complies with EU RoHS Directive (2011/65/EU). It does not contain harmful and prohibited materials specified in the Directive.

## 2 Installation

Refer to the nearest Authorised Service Agent for installation of the product. To make the product ready for use, review the information in the user manual and make sure that the electricity, tap water supply and water drainage systems are appropriate before calling the Authorized Service Agent. If they are not, call a qualified technician and plumber to have any necessary arrangements carried out.

## 2.2 Removing packaging reinforcement

Tilt the machine backwards to remove the packaging reinforcement. Remove the packaging reinforcement by pulling the ribbon.



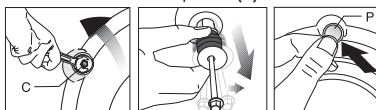
## 2.3 Removing the transportation locks



**WARNING:** Do not remove the transportation locks before taking out the packaging reinforcement.

**WARNING:** Remove the transportation safety bolts before operating the washing machine! Otherwise, the product will be damaged.

1. Loosen all the bolts with a suitable spanner until they rotate freely (C).
2. Remove transportation safety bolts by turning them gently.
3. Attach the plastic covers supplied in the User Manual bag into the holes on the rear panel. (P)



	Preparation of the location and electrical, tap water and waste water installations at the place of installation is under customer's responsibility.
	Make sure that the water inlet and discharge hoses as well as the power cable are not folded, pinched or crushed while pushing the product into its place after installation or cleaning procedures.
	<b>WARNING:</b> Installation and electrical connections of the product must be carried out by the Authorized Service Agent. Manufacturer shall not be held liable for damages that may arise from procedures carried out by unauthorized persons.
	<b>WARNING:</b> Prior to installation, visually check if the product has any defects on it. If so, do not have it installed. Damaged products cause risks for your safety.

## 2.1 Appropriate installation location

- Place the machine on a rigid floor. Do not place it on a long pile rug or similar surfaces.
- Total weight of the washing machine and the dryer -with full load- when they are placed on top of each other reaches to approx. 180 kilograms. Place the product on a solid and flat floor that has sufficient load carrying capacity!
- Do not place the product on the power cable.
- Do not install the product at places where temperature may fall below 0°C.
- Place the product at least 1 cm away from the edges of other furniture.



Keep the transportation safety bolts in a safe place to reuse when the washing machine needs to be moved again in the future.

Never move the product without the transportation safety bolts properly fixed in place!

## 2.4 Connecting water supply



The water supply pressure required to run the product is between 1 to 10 bars (0.1 – 1 MPa). It is necessary to have 10 – 80 liters of water flowing from the fully open tap in one minute to have your machine run smoothly. Attach a pressure reducing valve if water pressure is higher.

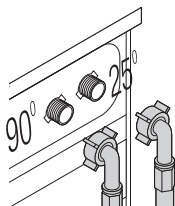
If you are going to use the double water-inlet product as a single (**cold**) water-inlet unit, you must install the supplied stopper to the hot water valve before operating the product. (Applies for the products supplied with a blind stopper group.)



**WARNING:** Models with a single water inlet should not be connected to the hot water tap. In such a case the laundry will get damaged or the product will switch to protection mode and will not operate.

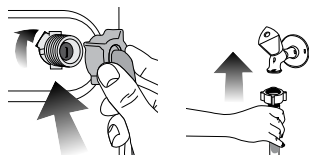
**WARNING:** Do not use old or used water inlet hoses on the new product. It may cause stains on your laundry.

1. Connect the special hoses supplied with the product to the water inlets on the product. Red hose (left) (max. 90 °C) is for hot water inlet, blue hose (right) (max. 25 °C) is for cold water inlet.



**WARNING:** Ensure that the cold and hot water connections are made correctly when installing the product. Otherwise, your laundry will come out hot at the end of the washing process and wear out.

2. Tighten all hose nuts by hand. Never use a tool when tightening the nuts.



3. Open the taps completely after making the hose connection to check for water leaks at the connection points. If any leaks occur, turn off the tap and remove the nut. Retighten the nut carefully after checking the seal. To prevent water leakages and damages caused by them, keep the taps closed when the machine is not in use.

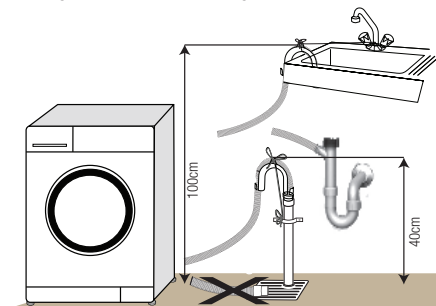
## 2.5 Connecting to the drain

- The end of the drain hose must be directly connected to the wastewater drain or to the washbasin.



**WARNING:** Your house will be flooded if the hose comes out of its housing during water discharge. Moreover, there is risk of scalding due to high washing temperatures! To prevent such situations and to ensure smooth water intake and discharge of the machine, fix the end of the discharge hose tightly so that it cannot come out.

- The hose should be attached to a height of at least 40 cm, and 100 cm at most.
- In case the hose is elevated after laying it on the floor level or close to the ground (less than 40 cm above the ground), water discharge becomes more difficult and the laundry may come out excessively wet. Therefore, follow the heights described in the figure.



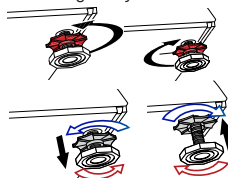
- To prevent flowing of dirty water back into the machine and to allow for easy discharge, do not immerse the hose end into the dirty water or do not drive it in the drain more than 15 cm. If it is too long, cut it short.
- The end of the hose should not be bent, it should not be stepped on and the hose must not be pinched between the drain and the machine.
- If the length of the hose is too short, use it by adding an original extension hose. Length of the hose may not be longer than 3.2 m. To avoid water leak failures, the connection between the extension hose and the drain hose of the product must be fitted well with an appropriate clamp as not to come off and leak.

## 2.6 Adjusting the feet



**WARNING:** In order to ensure that the product operates more silently and vibration-free, it must stand level and balanced on its feet. Balance the machine by adjusting the feet. Otherwise, the product may move from its place and cause crushing and vibration problems.

1. Loosen the lock nuts on the feet by hand.
2. Adjust the feet until the product stands level and balanced.
3. Tighten all lock nuts again by hand.



**WARNING:** Do not use any tools to loosen the lock nuts. Otherwise, they will get damaged.

## 2.7 Electrical connection

Connect the product to a grounded outlet protected by a 16 A fuse. Our company shall not be liable for any damages that will arise when the product is used without grounding in accordance with the local regulations.

- Connection must comply with national regulations.
- Power cable plug must be within easy reach after installation.
- If the current value of the fuse or breaker in the house is less than 16 Amps, have a qualified electrician install a 16 Amp fuse.
- The voltage specified in the "Technical specifications" section must be equal to your mains voltage.
- Do not make connections via extension cables or multi-plugs.



**WARNING:** Damaged power cables must be replaced by the Authorized Service Agents.

## Transportation of the product

1. Unplug the product before transporting it.
2. Remove water drain and water supply connections.
3. Drain all water that has remained in the product. (SEE 5.5)
4. Install transportation safety bolts in the reverse order of removal procedure; (SEE 2.3)



Never move the product without the transportation safety bolts properly fixed in place!



**WARNING:** Packaging materials are dangerous to children. Keep packaging materials in a safe place away from reach of the children.

## 3 Preparation

### 3.1 Sorting the laundry

- Sort laundry according to type of fabric, colour, and degree of soiling and allowable water temperature.
- Always obey the instructions given on the garment tags.

### 3.2 Preparing laundry for washing

- Laundry items with metal attachments such as, unwired bras, belt buckles or metal buttons will damage the machine. Remove the metal pieces or wash the clothes by putting them in a laundry bag or pillow case.
- Take out all substances in the pockets such as coins, pens and paper clips, and turn pockets inside out and brush. Such objects may damage the product or cause noise problem.
- Put small size clothes such as infant's socks and nylon stockings in a laundry bag or pillow case.
- Place curtains in without compressing them. Remove curtain attachment items.
- Fasten zippers, sew loose buttons and mend rips and tears.
- Wash "machine washable" or "hand washable" labeled products only with an appropriate programme.
- Do not wash colours and whites together. New, dark coloured cottons release a lot of dye. Wash them separately.
- Tough stains must be treated properly before washing. If unsure, check with a dry cleaner.

- Use only dyes/colour changers and limescale removers suitable for machine wash. Always follow the instructions on the package.
- Wash trousers and delicate laundry turned inside out.
- Keep laundry items made of Angora wool in the freezer for a few hours before washing. This will reduce pilling.
- Laundry that are subjected to materials such as flour, lime dust, milk powder, etc. intensely must be shaken off before placing into the machine. Such dusts and powders on the laundry may build up on the inner parts of the machine in time and can cause damage.

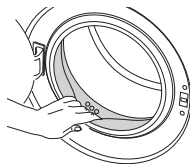
### 3.3 Things to be done for energy saving

Following information will help you use the product in an ecological and energy-efficient manner.

- Operate the product in the highest capacity allowed by the programme you have selected, but do not overload; see, "Programme and consumption table".
- Always follow the instructions on the detergent packaging.
- Wash slightly soiled laundry at low temperatures.
- Use faster programmes for small quantities of lightly soiled laundry.
- Do not use prewash and high temperatures for laundry that is not heavily soiled or stained.
- If you plan to dry your laundry in a dryer, select the highest spin speed recommended during washing process.
- Do not use detergent in excess of the amount recommended on the detergent package.

### 3.4 Initial use

Before starting to use the product, make sure that all preparations are made in accordance with the instructions in sections "Important safety instructions" and "Installation". To prepare the product for washing laundry, perform first operation in Drum Cleaning programme. If your product is not equipped with Drum Cleaning programme, perform the Initial Use procedure in accordance with the methods described under "5.2 Cleaning the loading door and the drum" section of the user manual.



Use an anti-limescale suitable for the washing machines.



Some water might have remained in the product due to the quality control processes in the production. It is not harmful for the product.

### 3.5 Correct load capacity

The maximum load capacity depends on the type of laundry, the degree of soiling and the washing programme desired. The machine automatically adjusts the amount of water according to the weight of the loaded laundry.



**WARNING:** Follow the information in the “Programme and consumption table”. When overloaded, machine’s washing performance will drop. Moreover, noise and vibration problems may occur.

Laundry type	Weight (g)
Bathrobe	1200
Napkin	100
Duvet cover	700
Bed Sheet	500
Pillowcase	200
Tablecloth	250
Towel	200
Hand towel	100
Evening gown	200
Underclothing	100
Men’s overalls	600
Men’s shirt	200
Men’s pajamas	500
Blouses	100

### 3.6 Loading the laundry

1. Open the loading door.
2. Place laundry items loosely into the machine.
3. Push the loading door to close until you hear a locking sound. Ensure that no items are caught in the door.



The loading door is locked while a programme is running. The door can only be opened a while after the programme comes to an end.



**WARNING:** In case of misplacing the laundry, noise and vibration problems may occur in the machine.

### 3.7 Using detergent and softener



When using detergent, softener, starch, fabric dye, bleach or limescale remover read the manufacturer’s instructions on the package carefully and follow the suggested dosage values. Use measuring cup if available.

#### Detergent Drawer

Detergent drawer of your washing machine consists of four different compartments for powder main wash detergent, liquid main wash detergent, liquid softener and powder pre-wash detergent. Each of these laundry additives are dispensed automatically in the relevant time during the washing Programme.

Do not place the laundry additives directly into the drum.

Always use the detergent drawer.

Do not close the drawer too fast after putting the laundry additives. This may cause the additives be dispensed early, creating unsatisfactory washing results and fabric damage.



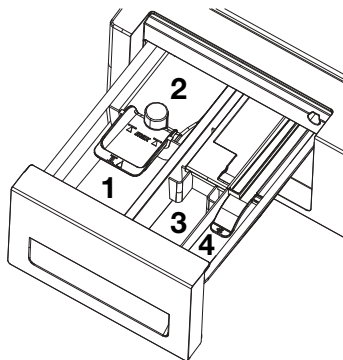
Do not open the drawer during washing Programme.

#### The detergent drawer compartments are indicated below:

- 1) Left compartment with number “II” (Main wash compartment for powder detergent or powder bleach/

stain remover)

- 2) Left compartment with number “II” (Main wash compartment for liquid detergent or liquid stain remover)
- 3) Middle compartment with number “I” (pre-wash compartment for powder detergent, powder stain remover or liquid bleach - liquid bleach must be added either during the pre-wash or during the first rinsing step of the washing Programme). Liquid bleach must be added manually while the machine takes in water.
- 4) Right compartment with “” symbol (liquid softener compartment)



#### (II) Main Wash Compartment

Before starting the washing Programme, put powder detergent into the left compartment with number “II”. Use the detergent manufacturer’s measuring cup and follow the instructions on the package. Powder bleach/stain remover must also be put into this compartment.

Put the liquid detergent into the main wash compartment with number “II” before starting the washing Programme. Liquid stain remover must be put into this compartment. Put the suggested amount of liquid detergent into the left compartment with “II” symbol and dilute it to the maximum filling level line (max. II) with warm water.

Particularly the concentrated detergents must be diluted with warm water; otherwise, the siphon may get clogged in time. Do not fill the detergent above the maximum filling level line; otherwise the excess amount of detergent will reach the laundry without water and may cause stains on the garments. In this case you will need to refill the compartment. Do not pour the detergent onto the laundry directly since this may cause stains on the garments.

#### Liquid Softener Compartment

Put the suggested amount of liquid softener into the right compartment with “” symbol and dilute it to the maximum filling level line (max. ) with warm water.

Particularly the concentrated softeners must be diluted with warm water; otherwise, the siphon may get clogged in time. Do not fill the softener above the maximum filling level line; otherwise the excess amount of softener will get mixed with the washing water and you will need to refill the compartment. Do not pour the softener onto the laundry directly since this may cause stains on the garments. Liquid softener will be dispensed automatically at the final rinsing step of the washing Programme.



## (I) Pre-Wash Compartment

Put the powder pre-wash detergent or powder stain remover into the middle compartment with number "1".

You can also put liquid bleach into this compartment while the machine takes in water during pre-wash or first rinsing step. Adding the liquid bleach while the machine takes in water allows it to be diluted before it is poured onto the laundry.

You must select extra rinsing option if you use liquid bleach in a washing Programme. Bleach must be removed from the laundry with rinsing; otherwise it may cause itching on the skin.



Read the dosage instructions and label of your garments carefully before using the liquid bleach.

## Starch

- Add liquid starch, powder starch or the dyestuff into the softener compartment as instructed on the package.
- Never use fabric softener and starch together in the same washing cycle.
- Wipe the inside of the drum after using starch.

## Bleaches

If you are going to use regular bleach in your machine, it is suggested to select a Programme with pre-wash step and add the bleach at the beginning of the pre-wash without putting detergent into the pre-wash compartment. Alternatively, it is suggested to select a Programme with extra rinsing and add the bleach while the machine takes in water from the detergent drawer in the first rinsing step. Bleach should not be mixed with detergent. Since the bleach may cause irritation on skin, little amounts must be used and rinsed thoroughly. Do not pour bleach directly onto the laundry and do not use it with colour laundry.

When using oxygen based bleach, follow the instructions on the package and select a Programme at low temperature. Oxygen based bleach can be used together with the detergent. However, if it is not at the same thickness with the detergent, then it must be added from the compartment number "II" right after the detergent foams with water.

## Eliminating lime formation

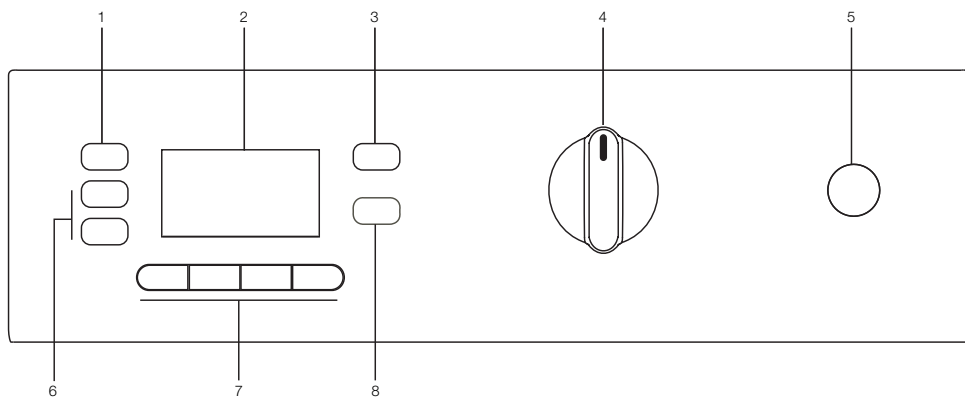
- When required, use only appropriate lime removers developed specifically for washing machines and always follow the instructions on the package.

## 3.8 Tips for efficient washing

		Clothes			
		Light colours and whites	Colours	Dark colours	Delicates/Woolens/Silks
		(Recommended temperature range based on soiling level: 40-90°C)	(Recommended temperature range based on soiling level: cold-40°C)	(Recommended temperature range based on soiling level: cold-40°C)	(Recommended temperature range based on soiling level: cold-30°C)
Soiling Level	<b>Heavily Soiled</b> (difficult stains such as grass, coffee, fruits and blood.)	It may be necessary to pre-treat the stains or perform prewash. Powder and liquid detergents recommended for whites can be used at dosages recommended for heavily soiled clothes. It is recommended to use powder detergents to clean clay and soil stains and the stains that are sensitive to bleaches.	Powder and liquid detergents recommended for colours can be used at dosages recommended for heavily soiled clothes. It is recommended to use powder detergents to clean clay and soil stains and the stains that are sensitive to bleaches. Use detergents without bleach.	Liquid detergents suitable for colours and dark colours can be used at dosages recommended for heavily soiled clothes.	Prefer liquid detergents produced for delicate clothes. Woolen and silk clothes must be washed with special woolen detergents.
	<b>Normally Soiled</b> (For example, stains caused by body on collars and cuffs)	Powder and liquid detergents recommended for whites can be used at dosages recommended for normally soiled clothes.	Powder and liquid detergents recommended for colours can be used at dosages recommended for normally soiled clothes. Use detergents without bleach.	Liquid detergents suitable for colours and dark colours can be used at dosages recommended for normally soiled clothes.	Prefer liquid detergents produced for delicate clothes. Woolen and silk clothes must be washed with special woolen detergents.
	<b>Lightly Soiled</b> (No visible stains exist.)	Powder and liquid detergents recommended for whites can be used at dosages recommended for lightly soiled clothes.	Powder and liquid detergents recommended for colours can be used at dosages recommended for lightly soiled clothes. Use detergents without bleach.	Liquid detergents suitable for colours and dark colours can be used at dosages recommended for lightly soiled clothes.	Prefer liquid detergents produced for delicate clothes. Woolen and silk clothes must be washed with special woolen detergents.

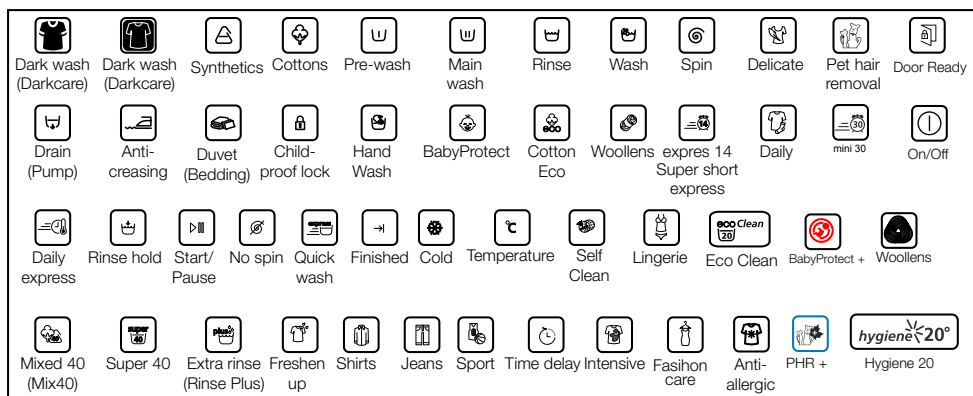
# 4 Operating the product

## 4.1 Control panel

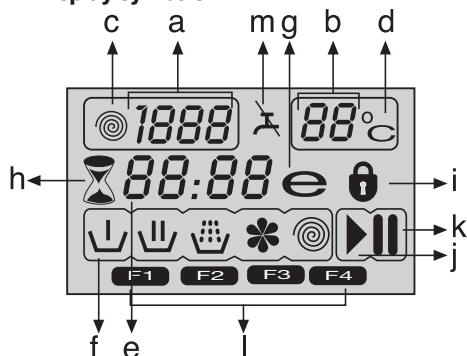


- 1 - Spin Speed Adjustment button
- 2 - Display
- 3 - Temperature Adjustment button
- 4 - Programme Selection knob

- 5 - On / Off button
- 6 - Delayed Start buttons (+ / -)
- 7 - Auxiliary Function buttons
- 8 - Start / Pause / Cancel button



## 4.2 Display symbols



- a - Spin Speed indicator
- b - Temperature indicator
- c - Spin symbol
- d - Temperature symbol
- e - Remaining Time and Delayed Start indicator
- f - Programme Indicator symbols (Prewash / Main Wash / Rinse / Softener / Spin)
- g - Economy symbol
- h - Delayed Start symbol
- i - Door Locked symbol
- j - Start symbol
- k - Pause symbol
- l - Auxiliary Function symbols
- m - No Water symbol

## 4.3 Preparing the machine

Make sure that the hoses are connected tightly. Plug in your machine. Turn the tap on completely. Place the laundry in the machine. Add detergent and fabric softener.

## 4.4 Programme selection

Select the programme suitable for the type, quantity and soiling degree of the laundry in accordance with the "Programme and consumption table" and the temperature table below.

90°C	Heavily soiled white cottons and linens. (coffee table covers, tableclothes, towels, bed sheets, etc.)
60°C	Normally soiled, coloured, fade proof linens, cottons or synthetic clothes (shirt, nightgown, pajamas, etc.) and lightly soiled white linens (underwear, etc.)
40°C- 30°C- Cold	Blended laundry including delicate textile (veil curtains, etc.), synthetics and woolens.

Select the desired programme with the Programme Selection button.

	Programmes are limited with the highest spin speed appropriate for that particular type of fabric.
	When selecting a programme, always consider the type of fabric, colour, degree of soiling and permissible water temperature.
	Always select the lowest required temperature. Higher temperature means higher power consumption.
	For further programme details, see "Programme and consumption table"

## 4.5 Main programmes

Depending on the type of fabric, use the following main programmes.

### • Cottons

Use this programme for your cotton laundry (such as bed sheets, duvet and pillowcase sets, towels, bathrobes, underwear, etc.). Your laundry will be washed with vigorous washing action for a longer washing cycle.

### • Synthetics

Use this programme to wash your synthetic clothes (shirts, blouses, synthetic/cotton blends, etc.). It washes with a gentle action and has a shorter washing cycle compared to the Cottons programme.

For curtains and tulle, use the Synthetic 40°C programme with prewash and anti-creasing functions selected. As their meshed texture causes excessive foaming, wash the veils/tulle by putting little amount of detergent into the main wash compartment. Do not put detergent in the prewash compartment.

### • Woollens

Use this programme to wash your woolen clothes. Select the appropriate temperature complying with the tags of your clothes. Use appropriate detergents for woolens.

## 4.6 Additional programmes

For special cases, additional programmes are available in the machine.



Additional programmes may differ according to the model of the machine.

### • Cotton Economic

You may wash your normally soiled durable cotton and linen laundry in this programme with the highest energy and water saving compared to all other wash programmes suitable for cottons. Actual water temperature may differ from the declared cycle temperature. Programme duration may automatically be shortened during later stages of the programme if you wash less amount (e.g. ½ capacity or less) of laundry. In this case energy and water consumption will be further decreased giving you the opportunity for a more economical wash. This feature is available for certain models having remaining time display.

### • BabyProtect

Use this programme to wash baby laundry, and the laundry that belongs to allergic persons. Longer heating time and an additional rinsing step provide a higher level of hygiene.

### • Hand wash

Use this programme to wash your woolen/delicate clothes that bear "not machine- washable" tags and for which hand wash is recommended. It washes laundry with a very gentle washing action to not to damage clothes.

### • Daily express

Use this programme to wash your lightly soiled cotton clothes in a short time.

### • Super short express

Use this programme to wash your little amount of lightly soiled cotton clothes in a short time.

#### • **Darkcare**

Use this programme to wash your dark coloured laundry or the laundry that you do not want it get faded. Washing is performed with little mechanic action and at low temperatures. It is recommended to use liquid detergent or woolen shampoo for dark coloured laundry.

#### • **Mixed 40 (Mix 40)**

Use this programme to wash your cotton and synthetic clothes together without sorting them.

#### • **Shirts**

Use this programme to wash the shirts made of cotton, synthetic and synthetic blended fabrics together.

#### • **Freshen Up**

Use this programme to remove the odour on the laundry that are worn only for once and do not contain any stains or dirt.

#### • **Eco Clean**

Use this programme, which is much more sensitive to environment and natural resources, to wash your lightly soiled and unstained cotton laundry (max. 3.5 kg) in a short time and economically.



It is recommended to use liquid detergent or gel washing detergent.

#### • **Self Clean**

Use this programme regularly (once in every 1-2 months) to clean the drum and provide the required hygiene. Run the programme without any laundry in the machine. To obtain better results, put powder limescale remover for washing machines into the detergent compartment II. When the programme is over, leave the loading door ajar so that the inside of the machine gets dry.



This is not a washing programme. It is a maintenance programme.



Do not run the programme when there is something in the machine. If you try to do so, the machine detects that there is a load inside and aborts the programme.

### 4.7 Special programmes

For specific applications, select any of the following programmes.

#### • **Rinse**

Use this programme when you want to rinse or starch separately.

#### • **Spin + Drain**

Use this programme to apply an additional spin cycle for your laundry or to drain the water in the machine.

Before selecting this programme, select the desired spin speed and press Start / Pause / Cancel button. The machine will spin the laundry with the set spin speed and drain the water coming out of them.

If you wish to drain only the water without spinning your laundry, select the Pump+Spin programme and then select the No Spin function with the help of Spin Speed Adjustment button. Press Start / Pause / Cancel button.



Use a lower spin speed for delicate laundries.

### 4.8 Temperature selection

Whenever a new programme is selected, the maximum temperature for the selected programme appears on the temperature indicator.

To decrease the temperature, press the Temperature Adjustment button. Temperature decreases with increments of 10° and finally, "—" symbol indicating the cold wash option appears on the display.



If you scroll to cold wash option and press Temperature Adjustment button again, the recommended temperature for the selected programme appears on the display. Press the Temperature Adjustment button again to decrease the temperature.

### Economy symbol

Indicates the programmes and temperatures that provide energy savings.



Economy symbol can not be selected in Intensive and Hygiene programmes since washing is performed in long times and at high temperatures in order to provide hygiene. Similarly, Economy symbol can not be selected in Baby, Refresh, Drum Cleaning, Spin and Rinse programmes as well.

### 4.9 Spin speed selection

Whenever a new programme is selected, the recommended spin speed of the selected programme is displayed on the spin speed indicator.

To decrease the spin speed, press the Spin Speed Adjustment button. Spin speed decreases gradually. Then, depending on the model of the product, "Rinse Hold" and "No Spin" options appear on the display. See "Auxiliary function selection" section for explanations of these options.



Rinse Hold option is indicated with "i" symbol and No Spin option is indicated with "—" symbol.

## 4.10 Programme and consumption table

EN						Auxiliary functions					
Programme (°C)		Max. Load (kg)	Water Consumption (l)	Energy Consumption (kWh)	Max. Speed**	Prewash	Quick Wash	Rinse Plus	Anti-Creasing	Rinse Hold	Selectable temperature range °C
Cottons	90	7	74	2.30	1600	•	•	•	•	•	90-Cold
Cottons	60	7	72	1.50	1600	•	•	•	•	•	90-Cold
Cottons	40	7	72	0.85	1600	•	•	•	•	•	90-Cold
BabyProtect	90	7	66	2.70	1600			*		•	90-30
Cotton Economic	60**	7	44	1.00	1600					•	60-Cold
Cotton Economic	60**	3.5	38	0.84	1600					•	60-Cold
Cotton Economic	40**	3.5	38	0.65	1600					•	60-Cold
Cotton Economic	40	7	64	0.72	1600					•	60-Cold
Synthetics	60	3	45	1.00	1200	•	•	•	•	•	60-Cold
Synthetics	40	3	45	0.45	1200	•	•	•	•	•	60-Cold
Eco Clean	20	3.5	39	0.16	1600					•	20
Mixed 40 (Mix 40)	40	3.5	45	0.55	1200	•	•	•	•	•	40-Cold
Shirts	40	3.5	45	0.55	800	•	•	•	*	•	60-Cold
Super short express	30	2	35	0.10	1400			•		•	30-Cold
Daily express	90	7	60	2.00	1400			•		•	90-Cold
Daily express	60	7	60	1.15	1400			•		•	90-Cold
Daily express	30	7	70	0.20	1400			•		•	90-Cold
Woollens	40	1.5	56	0.30	1200			•		•	40-Cold
Hand wash	30	1	40	0.25	1200						30-Cold
Darkcare	40	3	82	0.55	1200			*		•	40-Cold
Self Clean	70	-	100	1.70	800			*			70
Freshen Up	-	2	20	0.03	1200					•	-

• : Selectable

\* : Automatically selected, no cancelling.

\*\* : Energy Label programme (EN 60456 Ed.3)

\*\*\* If maximum spin speed of the machine is lower then this value, you can only select up to the maximum spin speed.

- : See the programme description for maximum load.

 \*\* "Cotton eco 40°C and Cotton eco 60°C are standard cycles." These cycles are known as '40°C cotton standard cycle' and '60°C cotton standard cycle' and indicated with the   symbols on the panel.



The auxiliary functions in the table may vary according to the model of your machine.



Water and power consumption may vary subject to the changes in water pressure, water hardness and temperature, ambient temperature, type and amount of laundry, selection of auxiliary functions and spin speed, and changes in electric voltage.



You can see the washing time of the programme you have selected on the display of the machine. It is normal that small differences may occur between the time shown on the display and the real washing time.

## 4.11 Auxiliary function selection

Select the desired auxiliary functions before starting the programme. Furthermore, you may also select or cancel auxiliary functions that are suitable to the running programme by pressing the Start / Pause / Cancel button when the machine is operating. For this, the machine must be in a step before the auxiliary function you are going to select or cancel.

Depending on the programme, press a, b, c or d buttons to select the desired auxiliary function. Symbol of the selected auxiliary function appears on the display.



Some functions cannot be selected together. If a second auxiliary function conflicting with the first one is selected before starting the machine, the function selected first will be canceled and the second auxiliary function selection will remain active. For example, if you want to select Quick Wash after you have selected the Prewash, Prewash will be canceled and Quick Wash will remain active.



An auxiliary function that is not compatible with the programme cannot be selected. (See "Programme and consumption table")



Auxiliary Function buttons may vary according to the model of the machine.

### • Prewash

A Prewash is only worthwhile for heavily soiled laundry. Not using the Prewash will save energy, water, detergent and time.

F1 appears on the display when you select this function (a).

### • Quick Wash

This function can be used in Cottons and Synthetics programmes. It decreases the washing times and also the number of rinsing steps for lightly soiled laundry.

F2 appears on the display when you select this function (b).



When you select this function, load your machine with half of the maximum laundry specified in the programme table.

### • Rinse Plus

This function enables the machine to make another rinsing in addition to the one already made after the main wash. Thus, the risk for sensitive skins (babies, allergic skins, etc.) to be affected by the minimal detergent remnants on the laundry can be reduced.

F3 appears on the display when you select this function (c).

### • Anti-Creasing

This function creates the clothes lesser when they are being washed. Drum movement is reduced and spinning speed is limited to prevent creasing. In addition, washing is done with a higher water level.

F4 appears on the display when you select this function (d).

### • Rinse Hold

If you are not going to unload your clothes immediately after the programme completes, you may use rinse hold function to keep your laundry in the final rinsing water in order to prevent them from getting wrinkled when there is no water in the machine. Press Start / Pause / Cancel button after this process if you want to drain the water without spinning your laundry. Programme will resume and complete after draining the water.

If you want to spin the laundry held in water, adjust the Spin Speed and press Start / Pause / Cancel button.

The programme resumes. Water is drained, laundry is spun and the programme is completed.

### • Pet hair removal

This function helps to remove pet hair that remain on your garments more effectively.

When you select this function, Prewash and Extra Rinse steps are added to the normal programme. Thus, washing is performed with more water (30%) and the pet hair is removed more effectively.



Never wash your pets in the washing machine.

## 4.12 Time display

Remaining time to complete the programme appears on the display while the programme is running. Tim is displayed as "01:30" in hours and minutes format.



Programme time may differ from the values in the "Programme and consumption table" depending on the water pressure, water hardness and temperature, ambient temperature, amount and the type of laundry, auxiliary functions selected and the changes at the mains voltage.

### Delayed start

With the Delayed Start function the startup of the programme may be delayed up to 24 hours. Delayed start time can be increased by increments of 30 minutes.



Do not use liquid detergents when you set Delayed Start! There is the risk of staining of the clothes.

Open the loading door, place the laundry and put detergent, etc. Select the washing programme, temperature, spin speed and, if required, the auxiliary functions. Set the desired delayed start time by pressing the Delayed Start + or - buttons. Delayed Start symbol flashes. Press Start / Pause / Cancel button. Delayed start countdown starts. Delayed Start symbol illuminates steadily. Start symbol appears. ":" sign in the middle of the delayed start time on the display starts flashing.



Additional laundry may be loaded during the delayed start period. At the end of the countdown, Delayed Start symbol disappears, washing cycle starts and the time of the selected programme appears on the display.

### Changing the delayed start period

If you want to change the time during countdown:

Press Start / Pause / Cancel button. ":" sign in the middle of the delayed start time on the display stops flashing. Pause symbol appears. Delayed Start symbol flashes. Start symbol disappears. Set the desired delayed start time by pressing the Delayed Start + or - buttons. Press Start / Pause / Cancel button. Delayed Start symbol illuminates steadily. Pause symbol disappears. Start symbol appears. ":" sign in the middle of the delayed start time on the display starts flashing.

### Cancelling the Delayed Start function

If you want to cancel the delayed start countdown and start the programme immediately:

Press Start / Pause / Cancel button. ":" sign in the middle of the delayed start time on the display stops flashing. Start symbol disappears. Pause symbol and Delayed Start symbol

flashes. Decrease the delayed start time by pressing the Delayed Start - button. Programme duration appears after 30 minutes. Press Start / Pause / Cancel button to start the programme.

### 4.13 Starting the programme

Press Start / Pause / Cancel button to start the programme. Start symbol showing the startup of the programme will turn on. Loading door is locked and Door Locked symbol appears on the display. The symbol of the step from which the programme has started appears on the display (Prewash, Main Wash, Rinse, Softener and Spin).

### 4.14 Progress of programme

Progress of a running programme is indicated on the display with a set of symbols.

Relevant symbol appears on the display at the beginning of each programme step and all symbols remain lit at the end of the programme. The farthestmost right symbol indicates the current programme step.

#### Prewash

If the Prewash auxiliary function is selected, Prewash symbol appears on the display indicating that the prewash step has started.

#### Main Wash

Main Wash symbol indicating that the main wash step has started appears on the display.

#### Rinse

Rinse symbol indicating that the rinsing step has started appears on the display.

#### Softener

Softener symbol indicating that the softener step has started appears on the display.

#### Spin

Appears at the beginning of the final spin step and remains lit during Spin and Pump special programmes.



If the machine does not pass to the spinning step, Rinse Hold function might be active or the automatic unbalanced load detection system might be activated due to the unbalanced distribution of the laundry in the machine.

### 4.15 Loading door lock

There is a locking system on the loading door of the machine that prevents opening of the door in cases when the water level is unsuitable.

Door Locked symbol appears when the loading door is locked. This symbol will flash until the loading door becomes ready to open when programme completes or the machine is paused. Do not force to open the loading door in this step. Symbol disappears when the door is ready to open. You can

open the door when the symbol disappears.

### 4.16 Changing the selections after programme has started

#### Switching the machine to pause mode

Press the Start / Pause / Cancel button to switch the machine to pause mode. Pause symbol appears on the display indicating that the machine is paused. Start symbol disappears.

#### Changing the speed and temperature settings for auxiliary functions

Depending on the step the programme has reached, you may cancel or activate the auxiliary functions; see, "Auxiliary function selection".

You may also change the speed and temperature settings; see, "Spin speed selection" and "Temperature selection".

#### Adding or taking out laundry

Press the Start / Pause / Cancel button to switch the machine to pause mode. The programme follow-up light of the relevant step during which the machine was switched into the pause mode will flash. Wait until the Loading Door can be opened. Open the Loading Door and add or take out the laundry. Close the Loading Door. Make changes in auxiliary functions, temperature and speed settings if necessary. Press Start / Pause / Cancel button to start the machine.



The loading door will not open if the water temperature in the machine is high or the water level is above the door opening.

### 4.17 Child Lock

Use Child Lock function to prevent children from tampering with the machine. Thus you can avoid any changes in a running programme.



You can switch on and off the machine with On / Off button when the Child Lock is active. When you switch on the machine again, programme will resume from where it has stopped.

#### To activate the Child Lock:

Press and hold 2<sup>nd</sup> and 4<sup>th</sup> Auxiliary Function buttons for 3 seconds. "Con" appears on the display.



Same phrase will appear on the display if you press any button when Child Lock is enabled.

#### To deactivate the Child Lock:

Press and hold 2<sup>nd</sup> and 4<sup>th</sup> Auxiliary Function buttons for 3 seconds. "COFF" appears on the display.



Do not forget to disable the child lock at the end of the programme if it was enabled before. Otherwise, machine will not allow to select a new programme.

### 4.18 Cancelling the programme

Press and hold Start / Pause / Cancel button for 3 seconds. Start symbol flashes. Symbol of the step at which the programme was cancelled remains lit. "End" appears on the display and the programme is cancelled.



If you want to open the loading door after you have cancelled the programme but it is not possible to open the loading door since the water level in the machine is above the loading door opening, then turn the Programme Selection knob to Pump+Spin programme and discharge the water in the machine.

### 4.19 Machine is in Rinse Hold mode

Spin symbol flashes and Pause symbol illuminates when the machine is in Rinse Hold mode.

If you want to spin your laundry when the machine is in this mode:

Adjust the spin speed and press Start / Pause / Cancel button. Pause symbol disappears and Start symbol appears. Programme resumes, discharges the water and spins the laundry.

If you only want to drain the water without spinning:



Just press Start / Pause / Cancel button. Pause symbol disappears. Start symbol appears. Programme resumes and discharges the water only.

#### 4.20 End of programme

“End” appears on the display at the end of the programme. Symbols of the programme steps remain lit. Auxiliary function, spin speed and temperature that were selected at the beginning of the programme remain selected.

#### 4.21 Your machine is equipped with a “Standby Mode”

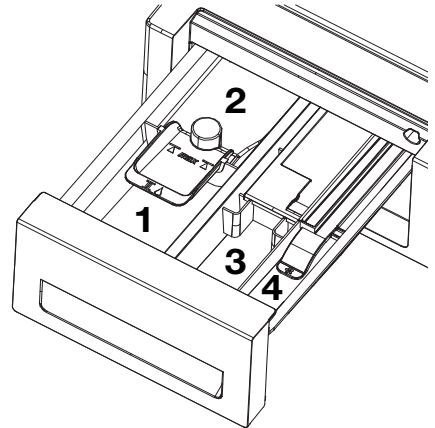
In case of not starting any programme or waiting without making any other operation when the machine is turned on by On/Off button and while it is in selection step or if no other operation is performed approximately 2 minutes after the programme you selected has come to an end, your machine will automatically switch to energy saving mode. Brightness of indicator lights will decrease. Also, if your product is equipped with a display showing the programme duration, this display will completely turn off. In case of rotating the Programme Selection knob or pressing any button, lights and display will restore to their previous condition. Your selections made while exiting the energy saving mode may change. Check the appropriateness of your selections before starting the programme. Readjust if necessary. This is not a fault.

## 5 Maintenance and cleaning

Service life of the product extends and frequently faced problems decrease if cleaned at regular intervals.

### 5.1 Cleaning the detergent drawer

Remove any powder residue buildup in the drawer. To do this;



You can remove the detergent drawer by pulling it towards yourself strongly.



If more than a normal amount of softener and liquid detergent mixture starts to remain in the softener compartment, the siphon must be cleaned.

Wash the drawer and the siphon with plenty of lukewarm water in a washbasin. Wear protective gloves or use an appropriate brush to avoid touching the residues in the drawer when cleaning. Replace the drawer into its housing after cleaning. Check if the siphon is in its original location.

### 5.2 Cleaning the loading door and the drum

For products with drum cleaning programme, please see Operating the product - Programmes.

For products without drum cleaning, follow the below steps to clean the drum:

Select **Additional Water** or **Extra Rinse** auxiliary functions. Use a Cottons programme without pre-wash. Set the temperature to the level recommended on the drum cleaning agent which can be provided from authorized services. Apply this procedure without any laundry in the product. Before starting the programme, put 1 pouch of special drum cleaning agent (if the special agent could not be supplied, put max. 100 g of powder detergent / anti-limescale) into the main wash detergent compartment (compartment no. “2”). If the detergent / anti-limescale is in tablet form, put only one tablet into the main wash compartment no. “2”. Dry the inside of the bellow with a clean piece of cloth after the programme has come to an end.



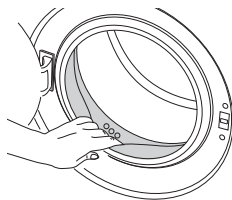
Repeat Drum Cleaning process in every 2 months.



Use an detergent / anti-limescale suitable for the washing machines.



After every washing make sure that no foreign substance is left in the drum.



If the holes on the bellow shown in the figure is blocked, open the holes using a toothpick.



Foreign metal substances will cause rust stains in the drum. Clean the stains on the drum surface by using cleaning agents for stainless steel. Never use steel wool or wire wool.



**WARNING:** Never use sponge or scrub materials. These will damage the painted and plastic surfaces.

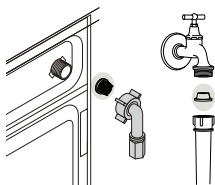
### 5.3 Cleaning the body and control panel

Wipe the body of the machine with soapy water or non-corrosive mild gel detergents as necessary, and dry with a soft cloth.

Use only a soft and damp cloth to clean the control panel.

### 5.4 Cleaning the water intake filters

There is a filter at the end of each water intake valve at the rear of the machine and also at the end of each water intake hose where they are connected to the tap. These filters prevent foreign substances and dirt in the water to enter the washing machine. Filters should be cleaned as they do get dirty.



1. Close the taps.
2. Remove the nuts of the water intake hoses to access the filters on the water intake valves. Clean them with an appropriate brush. If the filters are too dirty, take them out by means of pliers and clean them.
3. Take out the filters on the flat ends of the water intake hoses together with the gaskets and clean thoroughly under running water.
4. Replace the gaskets and filters carefully in their places and tighten the hose nuts by hand.

## 5.5 Draining remaining water and cleaning the pump filter

The filter system in your machine prevents solid items such as buttons, coins and fabric fibers clogging the pump impeller during discharge of washing water. Thus, the water will be discharged without any problem and the service life of the pump will extend.

If the machine fails to drain water, the pump filter is clogged. Filter must be cleaned whenever it is clogged or in every 3 months. Water must be drained off first to clean the pump filter.

In addition, prior to transporting the machine (e.g., when moving to another house) and in case of freezing of the water, water may have to be drained completely.



**WARNING:** Foreign substances left in the pump filter may damage your machine or may cause noise problem.

In order to clean the dirty filter and discharge the water:

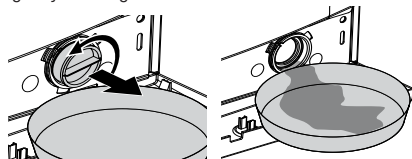
1. Unplug the machine to cut off the supply power.



**WARNING:** Temperature of the water inside the machine may rise up to 90 °C. To avoid burning risk, filter must be cleaned after the water in the machine cools down.

2. Some of our products have emergency draining hose and some does not have. Follow the steps below to discharge the water.

Discharging the water when the product does not have an emergency draining hose:



- a. Place a large container in front of the filter to catch water from the filter.
  - b. Loosen pump filter (anticlockwise) until water starts to flow. Fill the flowing water into the container you have placed in front of the filter. Always keep a piece of cloth handy to absorb any spilled water.
  - c. When the water inside the machine is finished, take out the filter completely by turning it.
3. Clean any residues inside the filter as well as fibers, if any, around the pump impeller region.
  4. Install the filter.

## 6 Technical specifications

<b>Complying Commission Delegated Regulation (EU) No 1061/2010</b>	
Supplier name or trademark	Beko
Model name	WMI 71242
Rated capacity (kg)	7
Energy efficiency class / Scale from A+++ (Highest Efficiency) to D (Lowest Efficiency)	A++
Annual Energy Consumption (kWh) <sup>(1)</sup>	194
Energy consumption of the standard 60°C cotton programme at full load (kWh)	1.001
Energy consumption of the standard 60°C cotton programme at partial load (kWh)	0.838
Energy consumption of the standard 40°C cotton programme at partial load (kWh)	0.652
Power consumption in 'off-mode' (W)	0.200
Power consumption in 'left-on mode' (W)	1.000
Annual Water Consumption (l) <sup>(2)</sup>	9020
Spin-drying efficiency class / Scale from A (Highest Efficiency) to G (Lowest Efficiency)	B
Maximum spin speed (rpm)	1200
Remaining moisture Content (%)	53
Standard cotton programme <sup>(3)</sup>	Cotton Eco 60°C and 40°C
Programme time of the standard 60°C cotton programme at full load (min)	160
Programme time of the standard 60°C cotton programme at partial load (min)	145
Programme time of the standard 40°C cotton programme at partial load (min)	130
Duration of the left-on mode (min)	N/A
Airborne acoustical noise emissions washing/spinning (dB)	51/65
Built-in	Yes
Height (cm)	82
Width (cm)	60
Depth (cm)	54
Net weight (±4 kg.)	72
Single Water inlet / Double Water inlet	• / -
• Available	
Electrical input (V/Hz)	230 V / 50Hz
Total current (A)	10
Total power (W)	2200
Main model code	8811
<sup>(1)</sup> Energy Consumption based on 220 standard washing cycles for cotton programmes at 60°C and 40°C at full and partial load, and the consumption of the low-power modes. Actual energy consumption will depend on how the appliance is used.	
<sup>(2)</sup> Water consumption based on 220 standard washing cycles for cotton programmes at 60°C and 40°C at full and partial load. Actual water consumption will depend on how the appliance is used.	
<sup>(3)</sup> "Standard 60°C cotton programme" and the "standard 40°C cotton programme" are the standard washing programmes to which the information in the label and the fiche relates and these programmes are suitable to clean normally soiled cotton laundry and that they are the most efficient programmes in terms of combined energy and water consumption.	
Technical specifications may be changed without prior notice to improve the quality of the product.	

## 7 Troubleshooting

### Program does not start after closing the door.

- Start / Pause / Cancel button was not pressed. >>> *Press the Start / Pause / Cancel button.*

### Programme cannot be started or selected.

- Washing machine has switched to self protection mode due to a supply problem (line voltage, water pressure, etc.). >>> *Press and hold Start / Pause button for 3 seconds to reset the machine to factory settings. (See "Cancelling the programme")*

### Water in the machine.

- Some water might have remained in the product due to the quality control processes in the production. >>> *This is not a failure; water is not harmful to the machine.*

### Machine vibrates or makes noise.

- Machine might be standing unbalanced. >>> *Adjust the feet to level the machine.*
- A hard substance might have entered into the pump filter. >>> *Clean the pump filter.*
- Transportation safety bolts are not removed. >>> *Remove the transportation safety bolts.*
- Laundry quantity in the machine might be too little. >>> *Add more laundry to the machine.*
- Machine might be overloaded with laundry. >>> *Take out some of the laundry from the machine or distribute the load by hand to balance it homogenously in the machine.*
- Machine might be leaning on a rigid item. >>> *Make sure that the machine is not leaning on anything.*

### Machine stopped shortly after the programme started.

- Machine might have stopped temporarily due to low voltage. >>> *It will resume running when the voltage restores to the normal level.*

### Programme time does not countdown. (On models with display)

- Timer may stop during water intake. >>> *Timer indicator will not countdown until the machine takes in adequate amount of water. The machine will wait until there is sufficient amount of water to avoid poor washing results due to lack of water. Timer indicator will resume countdown after this.*
- Timer may stop during heating step. >>> *Timer indicator will not countdown until the machine reaches the selected temperature.*
- Timer may stop during spinning step. >>> *Automatic unbalanced load detection system might be activated due to the unbalanced distribution of the laundry in the drum.*
- Machine does not switch to spinning step when the laundry is not evenly distributed in the drum to prevent any damage to the machine and to its surrounding environment. Laundry should be rearranged and re-spun.

### Foam is overflowing from the detergent drawer.

- Too much detergent is used. >>> *Mix 1 tablespoonful softener and ½ l water and pour into the main wash compartment of the detergent drawer.*
- Put detergent into the machine suitable for the programmes and maximum loads indicated in the "Programme and consumption table". When you use additional chemicals (stain removers, bleaches and etc), reduce the amount of detergent.

### Laundry remains wet at the end of the programme

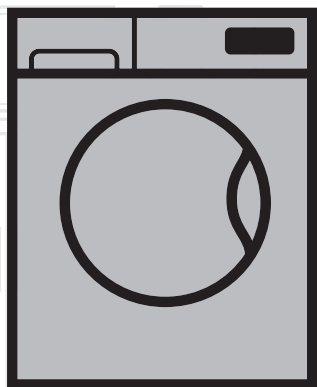
- Excessive foam might have occurred and automatic foam absorption system might have been activated due to too much detergent usage. >>> *Use recommended amount of detergent.*
- Machine does not switch to spinning step when the laundry is not evenly distributed in the drum to prevent any damage to the machine and to its surrounding environment. Laundry should be rearranged and re-spun.



**WARNING:** If you cannot eliminate the problem although you follow the instructions in this section, consult your dealer or the Authorized Service Agent. Never try to repair a nonfunctional product yourself.

# Plně automatická pračka

Uživatel Manuální



WMI 71242

CZ

Číslo dokumentu= 2820523261\_CZ / 04-03-16,(16:44)

**beko**

# **1 Důležité pokyny pro bezpečnost a ochranu životního prostředí**

Tento oddíl obsahuje bezpečnostní pokyny, které pomohou s ochranou před zraněním osob nebo poškozením majetku. Nedodržení těchto pokynů způsobí ztrátu nároku na čerpání záruky.

## **1.1 Obecné bezpečnostní pokyny**

- Tento výrobek mohou používat děti od 8 let věku včetně a osoby, jejich fyzické, smyslové nebo duševní schopnosti nejsou plně rozvinuty nebo kterým chybí zkušenosti a znalosti, pouze tehdy, pokud jsou pod dohledem nebo jsou proškoleny k bezpečnému používání výrobku a vědí o rizicích, která s ním souvisejí. Děti si nesmějí hrát s výrobkem. Čištění a údržbu by nikdy neměly provádět děti, pokud nejsou pod dozorem odpovědné dospělé osoby. Děti mladší 3 let musí být udrženy mimo dosah, nejsou-li neustále pod dozorem.
- Výrobek nikdy nestavte na koberec. Jinak by došlo k přehřívání elektrických součástí stroje vlivem nedostatečného proudění vzduchu pod přístrojem. Tím by mohly vzniknout potíže s vaší pračkou.
- Pokud dojde k poruše výrobku, neměl by se používat, dokud jej neopraví autorizovaný servis. Hrozí riziko zásahu elektrickým proudem!
- Tento výrobek by měl pokračovat v provozu po případném výpadku elektrické energie. Pokud si přejete program zrušit, postupujte podle oddílu "Stornování programu".
- Připojte výrobek k uzemněné zásuvce chráněné pojistkou na 16 A. Nezapomeňte zajistit, aby vám uzemnění provedl kvalifikovaný elektrikář. Naše společnost nenesे odpovědnost za žádné škody vzniklé tím, že výrobek používáte bez uzemnění v souladu s místními předpisy.
- Hadice pro přívod a odvod vody musejí být řádně upevněny a zůstat bez poškození. Jinak hrozí riziko úniku vody.
- Nikdy neotevírejte vkladací dvířka a nevyjímejte filtr, když je voda v bubnu. Jinak vzniká riziko zaplavení nebo zranění vlivem horké vody.
- Neotevírejte zamčená vkladací dvířka silou. Vkladací dvířka budou připravena k otevření pár minut po skončení pracovního cyklu. V případě, že otevřete vkladací dvířka silou, může dojít k poškození dveří a mechanismu zámku.
- Pokud výrobek nepoužíváte, odpojte jej.
- Nikdy nemyjte výrobek tak, že na něj nalijete vodu! Hrozí riziko zásahu elektrickým proudem!
- Nikdy se nedotýkejte zásuvky mokřýma rukama! Nikdy neodpojujte přístroj taháním za kabel, vždy tahejte až za zástrčku.
- Používejte pouze prací prostředky, změkčovačla a doplňky vhodné pro automatické pračky.
- Dodržujte pokyny na oděvech i na obalech pracích prášků.



- Výrobek je nutno odpojit během instalace, údržby, čištění a oprav.
- Činnosti instalace a oprav musí vždy provádět **zástupci autorizovaného servisu**. Výrobce neodpovídá za škody vzniklé činnostmi, které provedou neoprávněné osoby.
- Pokud je poškozen napájecí kabel, musí jej vyměnit výrobce, jeho poprodějní servis nebo podobně kvalifikovaná osoba (ideálně elektrikář) nebo někdo určený dovozcem tak, aby se předešlo možným rizikům.
- Produkt položte na pevný, rovný a hladký povrch.
- Neumísťujte jej na koberec s dlouhým vlasem ani na podobné plochy.
- Produkt nepokládejte na vysoký podstavec nebo do blízkost okraje kaskádovaného povrchu.
- Neumísťujte výrobek na napájecí kabel.
- Nikdy nepoužívejte houbičky nebo hrubé materiály. Ty by mohly poškodit lakované a plastové povrchy.

## 1.2 Určené použití

- Tento produkt byl vyroben pro domácí použití. Není vhodný pro komerční použití a nesmí se používat mimo stanovené použití.
- Spotřebič lze používat jen na mytí a oplachování látek s příslušným označením.
- Výrobce nenese odpovědnost za nesprávné používání či přepravu.

## 1.3 Bezpečnost dětí

- Obalové materiály jsou nebezpečné pro děti. Obalové materiály skladujte na bezpečném místě mimo dosah dětí.
- Elektrické výrobky jsou nebezpečné pro děti. Udržujte děti mimo dosah stroje, když je v provozu. Nedovoďte jim hrát si se strojem. Pomocí dětského zámku zabráníte dětem, aby si hrály se strojem.
- Nezapomeňte zavírat dvířka, když odejdete z místnosti, kde je výrobek umístěn.
- Veškeré prací prášky a aditiva skladujte na bezpečném místě mimo dosah dětí, zavřete kryt nádoby na prací prášek nebo utěsněte jeho balení.



Během praní prádla při vysokých teplotách se sklo plnicích dvířek zahřeje. Proto, dokud praní probíhá, udržte děti mimo dosah dvířek pračky.

## 1.4 Informace o obalech

- Obalové materiály výrobku jsou vyrobeny z recyklovatelných materiálů v souladu s našimi národními předpisy pro ochranu životního prostředí. Obalové materiály nelikvidujte s domácím nebo jiným druhem odpadu. Předejte je na sběrná místa stanovená místními úřady.

## 1.5 Likvidace odpadu

- Tento výrobek byl vyroben z vysoce kvalitních součástek a materiálů, které lze znovu použít a které jsou vhodné k recyklaci. Nelikvidujte výrobek s běžným domovním odpadem na konci jeho životnosti. Zanechte jej na sběrné místo k recyklaci elektrického a elektronického zařízení. Umístění nejbližšího sběrného místa vám sdělí místní úřady. Pomáhejte chránit životní prostředí a přírodní zdroje recyklací použitých výrobků. Pro bezpečnost dětí před likvidací produktu přestříhňte přívodní kabel a ulomte zamykací mechanismus dvířek pračky tak, aby nebyl funkční.

## 1.6 Dodržování směrnice WEEE



Tento produkt splňuje směrnici EU WEEE (2012/19/EU). Tento výrobek nese symbol pro třídění, platný pro elektrický a elektronický odpad (WEEE).

Tento produkt byl vyroben z vysoce kvalitních součástí a materiálů, které lze znovu použít a které jsou vhodné pro recyklaci. Produkt na konci životnosti nevyhazujte do běžného domácího odpadu. Odveďte ho do sběrného místa pro recyklaci elektrických a elektronických zařízení. Informace o těchto sběrných místech získáte na místních úřadech.

### Dodržování směrnice RoHS:

Produkt, který jste zakoupili splňuje směrnici EU RoHS (2011/65/EU). Neobsahuje žádné škodlivé ani zakázané materiály, které jsou směrnici zakázány.

## 2 Instalace

O instalaci produktu požádejte nejbližší autorizovaný servis. Aby byl výrobek připraven k použití, přečtěte si informace v návodu k použití a zajistěte, aby byla elektřina, přívod vody a systém pro odvod vody správné, než kontaktujete autorizovaný servis. Pokud nejsou, přivolejte kvalifikovaného mechanika a instalatéra, aby provedl všechny nezbytné úpravy.



Za přípravu umístění a elektrických, vodovodních a odpadních instalací na místě pro umístění přístroje odpovídá zákazník.



**VAROVÁNÍ:** Instalace a elektrická zapojení výrobku musí provést pracovník autorizovaného servisu. Výrobce neodpovídá za škody vzniklé činnostmi, které provedou neoprávněné osoby.



**VAROVÁNÍ:** Před instalací vizuálně zkontrolujte, zda výrobek nevykazuje známky poškození. Pokud ano, nenechávejte jej instalovat. Poškozené výrobky jsou bezpečnostním rizikem.



Zkontrolujte, zda přívodní a odpadové hadice i napájecí kabel nejsou zkroutené, stisknuté nebo rozdrčené při nasouvání výrobku na místo po instalaci nebo čištění.

### 2.1 Vhodné umístění pro instalaci

- Postavte spotřebič na pevnou plochu. Neumísťujte jej na koberec s dlouhým vlasem ani na podobné plochy.
- Celková hmotnost pračky a sušičky - s plnou náplní - pokud je umístíte na sebe, dosahuje cca 180 kilogramů. Umístěte výrobek na pevnou rovnou plochu s dostatečnou nosností!
- Neumísťujte výrobek na napájecí kabel.
- Neinstalujte výrobek do míst, kde může teplota klesnout pod 0°C.
- Umístěte výrobek s odstupem od okrajů ostatního nábytku nejméně 1 cm.

### 2.2 Sejmутí výztuh obalů

Nakloňte stroj dozadu pro sejmутí výztuh obalů. Sejměte výztuhy obalů tak, že zatáhnete za stuhu.

### 2.3 Odstraňování přepravních zámků

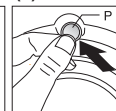
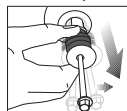
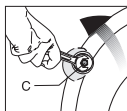


**VAROVÁNÍ:** Nesnímejte přepravní zámky předtím, než vyjmete výztuhy obalů.



**VAROVÁNÍ:** Před spuštěním pračky je nutné sejmout bezpečnostní přepravní šrouby! Jinak by se mohl výrobek poškodit.

1. Uvolněte všechny šrouby vhodným klíčem, dokud se volně neotáčejí **(C)**.
2. Odstraňte přepravní bezpečnostní šrouby tak, že jimi jemně otočíte.
3. Upevněte plastové kryty umístěné v sáčku s Příručkou pro obsluhu do otvorů na zadním panelu. **(P)**



Uchovejte přepravní bezpečnostní šrouby na bezpečném místě pro další použití, když bude třeba pračku v budoucnosti znovu přemístit.



Nikdy nepřemisťujte spotřebič bez řádné upevněných bezpečnostních přepravních šroubů!

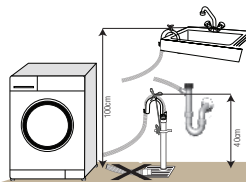
### 2.4 Připojování vody



Přívodní tlak vody nutný pro spuštění výrobku je 1 až 10 barů (0,1 – 1 MPa). V praxi to znamená, že za minutu musí z vašeho plně otevřeného kohoutku vytéct 10 - 80 litrů, aby vaše pračka běžela správně. Připevněte ventil na omezení tlaku, pokud je tlak vody vyšší.



Pokud hodláte používat výrobek dvojitým vstupem vody jako přístroj s jediným (studeným) přívodem vody, musíte nainstalovat dodanou ucpávku do ventilu pro horkou vodu, než výrobek spustíte. (Platí pro výrobky dodané se zásepkou.)



**VAROVÁNÍ:** Modely s jediným přívodem vody nepřipojujte ke kohoutku s horkou vodou. V takovém případě se prádlo poškodí nebo se výrobek přepne do ochranného režimu a nespustí se.



**VAROVÁNÍ:** Nepoužívejte staré nebo použité přírodní hadice na nový výrobek. Mohly by zanechat skvrny na vašem prádle.

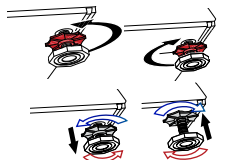
- Aby nedošlo k návratu špinavé vody zpět do stroje a zajistilo se snadné vypouštění, neponořujte konec hadice do špinavé vody a nevedte jej do odpadu déle než na 15 cm. Pokud je příliš dlouhá, seřízněte ji.
- Konec hadice neohýbejte, nestoupejte na něj a neskládejte jej mezi odpadem a pračkou.
- Pokud je hadice příliš krátká, použijte originální prodlužovací hadici. Hadice nesmí být delší než 3,2 m. Aby nedošlo k úniku vody, spoj mezi prodlužovací hadicí a odvodní hadicí výrobku musí být správně sevřený vhodnou svorkou, aby nesklouzl a nedošlo k úniku.

## 2.6 Upravování nožek



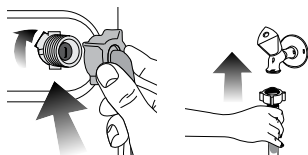
**VAROVÁNÍ:** Má-li váš spotřebič fungovat tišeji a bez vibrací, musí stát rovně a vyváženě na nožkách. Vyrovnajte spotřebič pomocí nožek. Jinak se může výrobek přesouvat v prostoru a způsobit potíže s vibracemi a drcením.

1. Povolte blokovací matice na nožkách.
2. Upravte nožky, dokud výrobek není rovný a vyvážený.
3. Všechny matice znovu utáhněte rukou.



**VAROVÁNÍ:** Zajistěte, aby připojení studené a teplé vody bylo provedeno správně, když stroj instalujete. Jinak by na konci pracího cyklu mohlo prádlo být horké a poškozené.

2. Všechny matice utahujte rukou. Na utahování matic nikdy nepoužívejte nářadí.



3. Po připojení hadic zcela otevřete kohoutky, abyste zkontrolovali, zda ve spojích nedochází k únikům vody. Pokud zjistíte úniky, vypněte kohout a sejměte matici. Znovu matici pečlivě utáhněte, zkontrolujte také těsnění. Abyste předešli únikům vody a následným škodám, udržujte kohouty uzavřené, když stroj nepoužíváte.

## 2.5 Připojení k odpadu

- Konec odpadové hadice přímo připojte k odpadu nebo do vany.



**VAROVÁNÍ:** Pokud se hadice odpojí z umístění při zaplnění vodou, mohlo by dojít k zatopení vašeho domu. Navíc hrozí riziko opaření z důvodu vysokých teplot při praní! Aby nedocházelo k těmto situacím a zajistili jste plynulý přívod i odvod vody ze stroje, upevněte konec odpadové hadice rádně, aby se nemohl uvolnit.

- Hadici připevněte do výšky nejméně 40 cm a nejvýše 100 cm.
- Pokud je hadice zvednutá, co ležela na zemi nebo v její blízkosti (méně než 40 cm nad zemí), je odčerpání vody ztíženo a prádlo může být při vyjímání z pračky příliš mokré. Proto dodržujte výšku uvedenou na obrázku.



**VAROVÁNÍ:** Na uvolnění blokovacích matic nepoužívejte žádné nástroje. Jinak by se mohly poškodit.

## 2.7 Elektrické zapojení

Připojte výrobek k uzemněné zásuvce chráněné pojistkou na 16 A. Naše společnost nenes odpovědnost za žádné škody vzniklé tím, že výrobek používáte bez uzemnění v souladu s místními předpisy.

- Připojení by mělo splňovat místní předpisy.
- Po instalaci musí být zástrčka napájecího kabelu snadno dostupná.
- Pokud je aktuální hodnota pojistky nebo přerušovače v domě nižší než 16 A, požádejte kvalifikovaného elektrikáře o instalaci pojistky o 16 A.
- Napětí stanovené v oddíle „Technické parametry“ musí být shodné s napětím ve vaší síti.
- Neprovádějte spojení pomocí prodlužovacích kabelů či rozdvojek.



**VAROVÁNÍ:** Poškozené napájecí kabely smí vyměňovat jen zástupci autorizovaného servisu.

## Přeprava výrobku

1. Odpojte výrobek před přepravou.
2. Odstraňte spojení pro odpad vody a přívod vody.



3. Vypusťte všechnu vodu, která ve výrobku zůstala. Viz 5.5
4. Nainstalujte bezpečnostní šrouby pro přepravu v opačném pořadí oproti demontáži; viz 2.3.



Nikdy nepřemísťujte spotřebič bez řádné upevněných bezpečnostních přepravních šroubů!



**VAROVÁNÍ:** Obalové materiály jsou nebezpečné pro děti. Obalové materiály skladujte na bezpečném místě mimo dosah dětí.

## 3 Přeprava

### 3.1 Třídění prádla

- Prádlo roztrídíte podle typu látky, barvy a stupně zašpinění a povolené teploty vody.
- Vždy dodržujte pokyny uvedené na oděvech.

### 3.2 Příprava oděvů na praní

- Předměty s kovovými částmi, jako jsou podprsenky s kosticemi, spony pásků a kovové knoflíky, mohou poškodit pračku. Vyměňte kovové části nebo perte oděvy v sáčku na prádlo nebo v povlečení na polštář.
- Vyměňte z kapes všechny předměty, jako jsou mince, pera a svorky, kapsy otočte a vykartáčujte. Tyto předměty mohou poškodit výrobek nebo způsobit hlučnost.
- Oděvy malých rozměrů, jako jsou dětské ponožky a nylonové punčochy, vložte do sáčku na prádlo nebo do povlečení na polštář.
- Záclony vkládejte dovnitř bez stlačování. Předměty pro upevnění záclon sejměte.
- Upevněte zipy, přišijte volné knoflíky a spravte trhliny a praskliny.
- Oděvy označené jako „lze prát v pračce“ nebo „perte v ruce“ perte jen s využitím vhodného programu.
- Neperte barevné a bílé prádlo společně. Nové, tmavé bavlněné oděvy mohou pouštět barvu. Perte je odděleně.
- Hrubé nečistoty musí být před praním řádně ošetřeny. Pokud si nejste jisti, poraďte se v čistírně.
- Používejte jen barviva/měničče barev a odstraňovače vodního kamene vhodné pro pračky. Vždy postupujte podle pokynů na obalu.
- Kalhoty a jemné prádlo perte naruby.
- Prádlo z angorské vlny před praním dejte na několik hodin do mrazničky. To sníží pelichání.
- Prádlo, které je ve styku s materiály, jako je mouka, vodní kámen, sušené mléko atd. je nutno před vložením do pračky protřepat. Tyto druhy prachu na prádle se mohou ukládat ve vnitřních částech stroje a způsobit poškození.

### 3.3 Co udělat pro úsporu energie

Následující informace vám pomohou používat výrobek ekologicky a účelně.

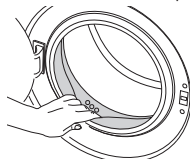
- Výrobek používejte na nejvyšší kapacitu povolenou pro zvolený program, nepřetěžujte jej; viz "Tabulka programů a spotřeby".
- Vždy dodržujte pokyny na obalu pracího prášku.
- Mírně znečištěné prádlo perte na nízké teploty.
- Používejte rychlejší programy pro menší množství mírně znečištěného prádla.
- Nepoužívejte předeprání a vysokou teplotu na prádlo, které není silně znečištěné či ušpiněné.
- Pokud máte v úmyslu sušit vaše prádlo v sušičce, zvolte nejvyšší rychlost ždímnání doporučenou během procesu

praní.

- Nepoužívejte prací prášek nad množství doporučené na balení prášku.

### 3.4 První použití

Než začnete výrobek používat, zkontrolujte, zda jsou všechny kroky příprav provedeny v souladu s pokyny v oddělech "Důležité bezpečnostní pokyny" a "Instalace". Pro přípravu výrobku na praní prádla proveďte nejprve činnost v programu Čištění bubnu. Pokud výrobek není vybaven programem na čištění bubnu, proveďte úvodní použití v souladu s pokyny popsanými v oddíle „5.2 Čištění vkladacích dvířek a bubnu“ v návodu k použití.



Použijte přípravek proti vodnímu kameni vhodný pro pračky.



Ve výrobku mohla zbyť trocha vody z důvodu procesů kontroly kvality ve výrobě. Není pro výrobek škodlivá.

### 3.5 Správná maximální zátěž

Maximální kapacita vkladání závisí na typu prádla, stupni ušpinění a pracím programu, který chcete použít. Pračka automaticky upraví množství vody podle množství vloženého prádla.



**VAROVÁNÍ:** Dodržujte pokyny v "Tabulce programů a spotřeby". Při přepnutí klesá účinnost praní. Navíc může dojít k potřím s hlučností a vibracemi.

Typ prádla–	Hmotnost (g)
Župan	1200
Ubrousek	100
Potah deky	700
Prostěradlo	500
Potah polštáře	200
Ubrus	250
Ručník	200
Ručník	100
Župan	200
Spodní prádlo	100
Pánská kombinéza	600
Pánská košile	200
Pánské pyžamo	500
Blůzy	100

### 3.6 Vkládání prádla

1. Otevřete dveře.
2. Vložte prádlo volně do pračky.
3. Zatlačte na dvířka, dokud neuslyšíte zacvaknutí. Ujistěte se, že ve dveřích nejsou žádné kusy prádla zachycené.



Vkládací dvířka se zamknou, zatímco běží program. Dveře lze otevřít pouze chvíli po skončení programu.



**VAROVÁNÍ:** V případě přesunutí prádla může dojít k problémům s hlučností a vibracemi stroje.

### 3.7 Používání pracího prášku a aviváže



Pokud používáte prací prášky, aviváž, škrob, barvivo, bělidlo nebo přípravek na odstraňování vodního kamene, přečtěte si pokyny výrobce na obalu prášku a dodržujte hodnoty dávkování. Pokud to lze, používejte odměrku.

#### Příhrádka na prací prášek

Příhrádka na prací prášky vaší pračky se skládá ze čtyř různých příhrádek na práškový přípravek na hlavní praní, tekutý přípravek na hlavní praní, tekutou aviváž a práškový přípravek na přeдеprání. Každá z těchto přísad je vydávána automaticky v příslušnou dobu během pracího programu. Nevkládejte přísady na praní přímo do bubny. Vždy používejte příhrádku na prášek.

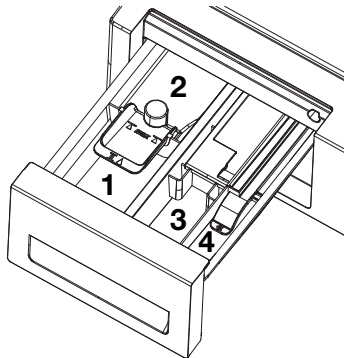
Nezavírejte příhrádku příliš rychle po vložení přísad. To by mohlo vést k příliš rychlému vydávování přísad s možnými neuspokojivými výsledky a poškozením látky.



Neotevírejte příhrádku během pracího programu.

#### Části příhrádky na prášek jsou uvedeny níže:

- 1) Levý oddíl s číslem "II" (Příhrádka na hlavní praní pro práškový přípravek nebo práškový škrob/odstraňovač skvrn)
- 2) Levý oddíl s číslem "II" (Příhrádka na hlavní praní pro tekutý přípravek nebo tekutý odstraňovač skvrn)
- 3) Prostřední příhrádka s číslem "I" (příhrádka pro přeдеprání na práškový přípravek, práškový odstraňovač skvrn nebo tekutý škrob - tekutý škrob je nutno přidat během přeдеprání nebo při prvních krocích máchání v pracím programu). Tekutý škrob je nutno přidávat ručně, zatímco pračka nabírá vodu.
- 4) Pravá příhrádka se symbolem "☼" (prostor na tekutou aviváž)



#### (I) Prostor na hlavní praní

Než spustíte program praní, vložte práškový přípravek do levé příhrádky s číslem "II". Použijte odměrku výrobce prášku a dodržujte pokyny na obalu. Škrob/odstraňovač skvrn umístěte také do této příhrádky.

Vložte tekutý prášek do prostoru na hlavní praní s číslem "II", než spustíte prací program. Tekutý odstraňovač skvrn vložte také do této příhrádky.

Vložte doporučené množství tekutého prášku do levé příhrádky označené symbolem "II" a zředte po maximální rychlosti teplou vodou (max. II).

Teplou vodou je nutno ředit hlavně koncentrované prášky; jinak by došlo časem k ucpání sifonu.

Nenaplňujte prášek nad maximální rysku; jinak dosáhne přebytkem množství prášku až k prádlu bez vody a může způsobit skvrny na oblečení. Pak budete muset příhrádku znovu naplnit. Nevkládejte prášek přímo na prádlo, mohlo by dojít k skvrnám na oblečení.

#### Prostor na tekutou aviváž

Vložte doporučené množství tekuté aviváže do pravé příhrádky označené symbolem "☼" a zředte po maximální rychlosti teplou vodou (max. ☼).

Teplou vodou je nutno ředit hlavně koncentrovanou aviváž; jinak by došlo časem k ucpání sifonu.

Nenaplňujte příhrádku přes maximální rysku; jinak by došlo k smíchání přebytkem množství aviváže s vodou na praní a museli byste prostor znovu naplnit. Nevkládejte aviváž přímo na prádlo, mohlo by dojít k skvrnám na oblečení.

Tekutá aviváž se dává automaticky v prvním kroku máchání pracího programu.

#### (I) Prostor pro přeдеprání

Vložte práškový přípravek nebo práškový odstraňovač skvrn do střední příhrádky s číslem "I".

Do tohoto prostoru můžete vložit i tekutý škrob, zatímco pračka nabírá vodu při přeдеprání nebo prvním máchání.

Přidáním tekutého škrobu během nabírání vody dosáhnete zředění, než se nalije na prádlo.

Musíte zvolit extra máchání, pokud v pracím programu používáte tekutý škrob. Škrob musí být z prádla odstraněn při máchání; jinak by způsobil podráždění pokožky.



Přečtěte si pokyny pro dávkování a údaje na štítku oděvů, než použijete tekutý škrob.

#### Škrob

- Přidejte tekutý škrob, práškový škrob nebo barvivo do příhrádky na aviváž podle pokynů na obale.
- Nikdy nepoužívejte aviváž a škrob současně v jednom pracím cyklu.
- Po každém použití škrobu vyčistěte vnitřek bubny.

#### Bělidla

Pokud chcete použít v pračce běžné bělidlo, doporučujeme použít program s přeдеpráním a přidat bělidlo na začátku přeдеprání, aniž byste prášek vložili do prostoru přeдеprání. Nebo můžete zvolit program s extra mácháním a přidat bělidlo, zatímco pračka nabírá vodu z příhrádky na prášek v prvním kroku máchání. Bělidlo smíchejte s práškem. Jelikož bělidlo může způsobit podráždění pokožky, použijte jej jen malé množství a důkladně máchejte. Nelijte bělidlo přímo na prádlo a nepoužívejte je s barevným prádlem.

Při používání kyslíkových škrobů dodržujte pokyny na obalu a zvolte program s nízkou teplotou. Kyslíkové škroby lze používat společně s pracím práškem. Pokud však nemá stejnou hustotu jako prášek, musí být přidán z prostoru číslo "II" hned poté, co prášek ve vodě zpění.

### Odstranění vodního kamene

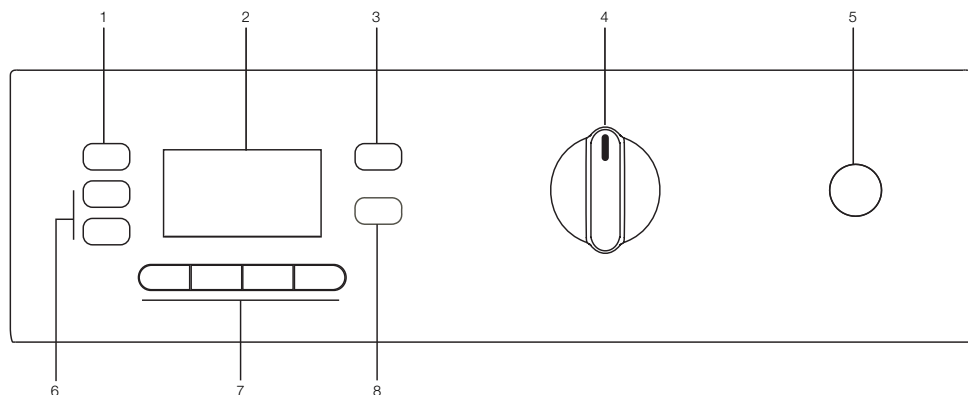
- Podle potřeby použijte jen vhodné přípravky na odstranění vodního kamene vyvinuté speciálně pro pračky a vždy dodržujte pokyny na balení.

## 3.8 Tipy pro účinné praní

		Oděvy			
		Světlé barvy a bílá	Barvy	Tmavé barvy	Jemné/vlna/hedvábí
		(Doporučené rozpětí teplot podle úrovně znečištění: 40-90°C)	(Doporučené rozpětí teplot podle úrovně znečištění: studené-40°C)	(Doporučené rozpětí teplot podle úrovně znečištění: studené-40°C)	(Doporučené rozpětí teplot podle úrovně znečištění: studené-30°C)
Úroveň znečištění	<b>Silně znečištěné</b> (odolné skvrny, např. od trávy, kávy, ovoce a krve.)	Může být nezbytné skvrny předem odstranit nebo nastavit předeprání. Práškové a tekuté prací prášky doporučené pro bílé oděvy lze používat v dávkách doporučených pro silně znečištěné oděvy. Doporučujeme používat práškové prací prášky na vyčištění skvrn od hlíny a skvrny, které jsou citlivé na škrobení.	Práškové a tekuté prací prášky doporučené pro barevné oděvy lze používat v dávkách doporučených pro silně znečištěné oděvy. Doporučujeme používat práškové prací prášky na vyčištění skvrn od hlíny a skvrny, které jsou citlivé na škrobení. Použijte prací prášky bez škrobu.	Tekuté prací prášky vhodné pro barevné a tmavé oděvy lze používat v dávkách doporučených pro silně znečištěné oděvy.	Použijte tekuté prací prášky určené pro jemné oděvy. Vlněné a hedvábné oděvy je nutno prát ve speciálních přípravcích na vlnu.
	<b>Běžně znečištěné</b> (například skvrny na límcích a manžetách)	Práškové a tekuté prací prášky doporučené pro bílé oděvy lze používat v dávkách doporučených pro běžně znečištěné oděvy.	Práškové a tekuté prací prášky doporučené pro barevné oděvy lze používat v dávkách doporučených pro běžně znečištěné oděvy. Použijte prací prášky bez škrobu.	Tekuté prací prášky vhodné pro barevné a tmavé oděvy lze používat v dávkách doporučených pro běžně znečištěné oděvy.	Použijte tekuté prací prášky určené pro jemné oděvy. Vlněné a hedvábné oděvy je nutno prát ve speciálních přípravcích na vlnu.
	<b>Lehce znečištěné</b> (Bez viditelných skvrn.)	Práškové a tekuté prací prášky doporučené pro bílé oděvy lze používat v dávkách doporučených pro lehce znečištěné oděvy.	Práškové a tekuté prací prášky doporučené pro barevné oděvy lze používat v dávkách doporučených pro lehce znečištěné oděvy. Použijte prací prášky bez škrobu.	Tekuté prací prášky vhodné pro barevné a tmavé oděvy lze používat v dávkách doporučených pro lehce znečištěné oděvy.	Použijte tekuté prací prášky určené pro jemné oděvy. Vlněné a hedvábné oděvy je nutno prát ve speciálních přípravcích na vlnu.

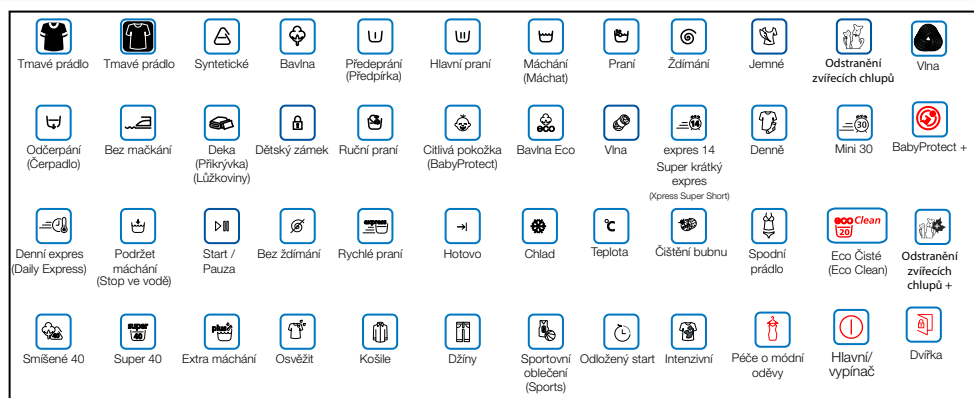
## 4 Používání výrobku

### 4.1 Kontrolní panel

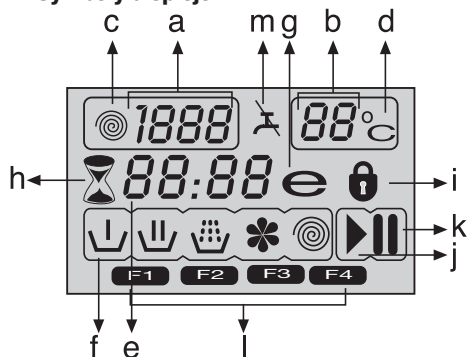


- 1 - Tlačítko pro nastavení rychlosti ždímání
- 2 - Displej
- 3 - Tlačítko pro nastavení teploty
- 4 - Knoflík pro volbu programu

- 5 - Tlačítko Zap/Vyp
- 6 - Tlačítko odloženého startu (+/-)
- 7 - Tlačítka přidavných funkcí
- 8 - Tlačítko Start/Pauza/Zrušit



### 4.2 Symboly displeje



- a - Ukazatel rychlosti ždímání
- b - Ukazatel teploty
- c - Symbol ždímání
- d - Symbol teploty
- e - Ukazatel zbývajících času a odloženého startu
- f - Symboly ukazatele programu (Předepírání/Hlavní praní/Máčení/Aviváž/Ždímání)
- g - Symbol Ekonomické praní
- h - Symbol odloženého startu
- i - Symbol zamčení dveří
- j - Symbol startu
- k - Symbol pauzy
- l - Symboly přidavných funkcí
- m - Symbol žádné vody

### 4.3 Příprava zařízení





Zkontrolujte, zda jsou hadice pevně připojeny. Zapojte pračku do sítě. Zcela otevřete kohoutek. Vložte do spotřebiče prádlo. Přidejte prací prášek a aviváž.

### 4.4 Volba programu

Zvolte program vhodný pro typ, množství a míru znečištění prádla v souladu s "Tabulkou programů a spotřeby" a tabulkou teplot uvedenou níže.

90°C	Silně znečištěná bílá bavlna a plátno. (ubrusy, ubrusky, ručníky, prostěradla atd.)
60°C	Běžně znečištěné, barevné, neblednoucí bavlněné nebo syntetické látky (košile, župan, pyžamo atd.) a mírně znečištěné bílé prádlo (spodní prádlo atd.)
40°C-30°C chladné	Směsové prádlo s obsahem jemných druhů textilu (závěsy atd.), syntetika a vlna.

Tlačítkem volby programu zvolte požadovaný program.

	Programy se omezují nejvyšší rychlostí máchání vhodnou pro daný konkrétní typ tkaniny.
	Při výběru programu vždy sledujte typ látky, barvu, míru znečištění a povolenou teplotu vody.
	Vždy volte nejnižší požadovanou teplotu. Vyšší teplota vždy znamená vyšší spotřebu energie.
	Další podrobnosti o programech naleznete v oddíle „Tabulka volby programu a spotřeby“.

### 4.5 Hlavní programy

Podle typu látky použijte následující hlavní programy.

#### • Bavlna

Doporučuje se pro bavlněné předměty (jako prostěradla, sady povlečení, ručníky, župany, spodní oděvy, atd.). Prádlo se vypere díky prudkým pracím pohybům během delšího pracovního cyklu.

#### • Syntetické

Tento program použijte k vyprání syntetických látek (košile, halenky, směs syntetika/bavlna atd.). Pere jemnými pohyby a má kratší cyklus oproti programu pro bavlnu.


Závěsy a záclony perte na program Syntetické 40°C s předpírkou a funkcí proti mačkání. Jelikož síťkování těchto druhů způsobuje zvýšenou produkci pěny, perte závěsy s velmi malým množstvím prášku na praní v přihrádce pro hlavní praní. Nevkládejte prací prášek do přihrádky pro předepírání.

#### • Vlna

Tento program slouží k vyprání vlněných oděvů. Zvolte vhodnou teplotu podle údajů na oblečení. Na vlnu používejte vhodné prášky pro vlnu.

### 4.6 Další programy

Pro zvláštní případy nabízí stroj další programy.

	Další programy se mohou lišit podle modelu vaší pračky.
--	---

#### • Bavlna Eco

Nyní můžete prát běžně znečištěné odolné oděvy z bavlny a lnu pomocí tohoto programu s optimální úsporou energie a vody v porovnání s ostatními pracovními programy vhodnými

pro bavlnu. Skutečná teplota vody se může lišit od uvedené teploty cyklu. Délka trvání programu se může automaticky zkrátit v pozdějších fázích programu, pokud perete menší množství (např. 1/2 kapacity nebo méně) prádla. V tomto případě se spotřeba energie a vody dále sníží, což vám umožní dosahovat úspornějšího praní. Tato funkce je dostupná pro některé modely se zobrazováním zbývajících času.

#### • BabyProtect (Citlivá pokožka)

Tento program použijte pro praní dětského prádla a prádla, které patří alergikům. Delší doba nahřívání a krok máchání navíc zajistí vyšší úroveň hygieny.

#### • Ruční praní

S tímto programem můžete prát vlněné/jemné oděvy označené jako „neprat v pračce“ a pro něž je doporučeno ruční praní. Pere prádlo velmi jemnými pohyby, aby nedošlo k jeho poškození.

#### • Denní expres

Tento program použijte na praní vašeho lehce znečištěného oblečení za krátkou dobu.

#### • Super krátký expres

Tento program použijte na praní vašeho malého množství lehce znečištěného oblečení za krátkou dobu.

#### • Tmavé prádlo

Tento program slouží k praní tmavého prádla nebo prádla, které nechcete, aby vybledlo. Praní je prováděno s malou mechanickou činností a při nízkých teplotách. Na tmavé prádlo doporučujeme používat tekutý prášek nebo prášek na vlnu.

#### • Smišené 40 (Mix 40)

Tento program slouží k vyprání bavlněných a syntetických oděvů najednou.

#### • Kosile

Tento program použijte na praní košilí z bavlny, syntetiky a syntetických směsí.

#### • Osvěžit

Tento program použijte na odstranění zápachu z prádla, které bylo nošeno pouze jednou a nejsou na něm žádné skvrny nebo špína.

#### • Eco Čisté (Eco Clean)

Tento program, který je mnohem citlivější k životnímu prostředí a přírodním zdrojům, použijte na praní lehce špinavého a nešpinavého bavlněného prádla (max. 3,5 kg) po krátkou dobu a ekonomicky.

	Je doporučeno použít tekutý nebo gelový prací prostředek.
---	---

#### • Čištění bubny

Tento program použijte pravidelně (jednou za 1-2 měsíce), abyste vyčistili bubnu a zajistili tak požadovanou hygienu. Program spouštějte bez prádla. Abyste dosáhli lepších výsledků, dejte do přihrádky na prací prostředek č. II práškový odstraňovač vodního kamene. Když program skončí, nechejte dveře pračky pootvěřeně, aby pračka vyschla.

	Toto není prací program. Je do programu údržby.
---	---



Program nespouštějte, pokud je něco v pračce. Pokud se o to pokusíte, pračka zjistí, že je uvnitř prádlo a program přeruší.

## 4.7 Zvláštní programy

Pro konkrétní aplikace můžete použít jakýkoli z následujících programů:

### • Máchat

Tento program se používá, když chcete máchat nebo škrobit odděleně.

### • Ždímání + Čerpadlo

Tento program se používá pro další cyklus ždímání prádla nebo pro odčerpání vody v pračce.

Před volbou tohoto programu zvolte požadovanou rychlost otáček a stiskněte tlačítko „Start/Pauza/Zrušit“. Pračka prádlo vyždímá při nastavených otáčkách a odčerpá vodu z prádla.

Pokud si přejete jen odčerpat vodu bez vyždímání, zvolte program Odčerpat + ždímat a pak zvolte funkci Bez ždímání pomocí tlačítka pro nastavení otáček ždímání. Stiskněte tlačítko Start/Pauza/Zrušit.



Pro jemné prádlo použijte nižší otáčky.

## 4.8 Volba teploty

Kdykoli zvolíte nový program, zobrazí se na ukazateli teploty maximální teplota pro zvolený program.

Pro snížení teploty stiskněte znovu tlačítko nastavení teploty. Teplota se snižuje po 10° a nakonec se na displeji objeví symbol „-“ zobrazující možnost studeného praní.



Pokud navolíte možnost studeného praní a znovu stisknete tlačítko Nastavení teploty, na displeji se zobrazí doporučená teplota pro vybraný program. Znovu stiskněte tlačítko Nastavení teploty, abyste teplotu snížili.

## Symbol Ekonomické praní

Označuje programy a teploty, které zajišťují úsporu energie.



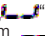

Symbol Ekonomického praní nemůže být zvolen u programu Intenzivní a Hygiena, protože praní je prováděno dlouhou dobu a při vysoké teploty, aby byla zajištěna hygiena. Podobně nemůže být symbol Ekonomického praní zvolen u programů Baby, Osvěžit, Čištění bubnu, Ždímání a Máchání.

## 4.9 Volba rychlosti otáček

Kdykoli zvolíte nový program, zobrazí se na ukazateli rychlosti otáček doporučené otáčky ždímání pro zvolený program.

Rychlost otáček snižíte tlačítkem pro nastavení otáček ždímání. Rychlost otáček se postupně snižuje. Pak se na displeji podle modelu výrobku zobrazí možnosti „Pozastavit máchání“ a „Bez ždímání“. V oddíle „Volba pomocné funkce“ najdete objasnění těchto možností.



Možnost Pozastavení je zobrazena symbolem „“ a možnost Žádné ždímání je zobrazeno symbolem „“.

## 4.10 Tabulka programů a spotřeby

CZ						Pomocní funkce					Volitelný teplotní rozsah °C
Program (°C)	Max. zátěž (kg)	Spotřeba vody (l)	Spotřeba energie (kWh)	Max. rychlost***	Předpírka	Rychlé praní	Extra máchání	Bez mačkání	Stop ve vodě		
Bavlna	90	7	74	2.30	1600	•	•	•	•	•	90-Chlad
Bavlna	60	7	72	1.50	1600	•	•	•	•	•	90-Chlad
Bavlna	40	7	72	0.85	1600	•	•	•	•	•	90-Chlad
BabyProtect (Citlivá pokožka)	90	7	66	2.70	1600			*		•	90-30
Bavlna Eco	60**	7	44	1.00	1600					•	60-Chlad
Bavlna Eco	60**	3.5	38	0.84	1600					•	60-Chlad
Bavlna Eco	40**	3.5	38	0.65	1600					•	60-Chlad
Bavlna Eco	40	7	64	0.72	1600					•	60-Chlad
Syntetické	60	3	45	1.00	1200	•	•	•	•	•	60-Chlad
Syntetické	40	3	45	0.45	1200	•	•	•	•	•	60-Chlad
Eco Čistě (Eco Clean)	20	3.5	39	0.16	1600					•	20
Smišené 40 (Mix 40)	40	3.5	45	0.55	1200	•	•	•	•	•	40-Chlad
Kosile	40	3.5	45	0.55	800	•	•	•	*	•	60-Chlad
Super krátký expres	30	2	35	0.10	1400			•		•	30-Chlad
Denní expres	90	7	60	2.00	1400			•		•	90-Chlad
Denní expres	60	7	60	1.15	1400			•		•	90-Chlad
Denní expres	30	7	70	0.20	1400			•		•	90-Chlad
Vlna	40	1.5	56	0.30	1200			•		•	40-Chlad
Ruční praní	30	1	40	0.25	1200						30-Chlad
Tmavé prádlo	40	3	82	0.55	1200			*		•	40-Chlad
Čištění bubnu	70	-	100	1.70	800			*			70
Osvěžit	-	2	20	0.03	1200					•	-

• : Lze zvolit

\* : Automaticky zvoleno, nelze zrušit.

\*\* : Energetický program (EN 60456 ver.3)

\*\*\* Pokud jsou maximální otáčky ždímnání stroje nižší než tato hodnota, můžete zvolit jen maximální rychlost ždímnání.

- : Pro maximální náplň viz popis programu.

☐ \*\* „Bavlna eco 40°C a Bavlna eco 60°C jsou standardní cykly.“ Tyto cykly se označují jako „40°C bavlna standardní cyklus“ a „60°C bavlna standardní cyklus“ a jsou označeny symboly ☐ 40 ☐ 60 na panelu.



Pomocné funkce v tabulce se mohou lišit podle modelu vaší pračky.



Spotřeba vody a energie se může lišit od údajů v tabulce podle tlaku vody, tvrdosti a teploty vody, teploty okolí, typu a množství prádla, volby pomocných funkcí a rychlosti ždímnání a výkyvů v přírodním napětí.



Čas praní zvoleného programu můžete sledovat na displeji stroje. Je běžné, že dojde k malým odchylkám mezi časem uvedeným na displeji a reálným časem praní.



## 4.11 Volba pomocné funkce

Před spuštěním programu zvolte požadované pomocné funkce. Můžete zvolit pomocné funkce, které jsou vhodné pro běžící program, stisknutím tlačítka Start/Pauza/Zrušit, když je zařízení v provozu. Za tímto účelem musí být zařízení v kroku před pomocnou funkcí, kterou chcete zvolit či zrušit. V závislosti na programu stiskněte tlačítka a, b, c nebo d, abyste zvolili požadovanou přídatnou funkci. Symbol zvolené přídatné funkce se objeví na displeji.



Některé kombinace nelze zvolit současně. Pokud před spuštěním stroje zvolíte druhou pomocnou funkci, která je v rozporu s první funkcí, první zvolená funkce se zruší a aktivní zůstane druhá pomocná funkce. Pokud například chcete zvolit rychlé praní poté, co jste zvolili předepírání, předepírání se zruší a rychlé praní zůstane aktivní.



Pomocnou funkci neslučitelnou s programem nelze zvolit. (Viz „Tabulka programů a spotřeby“)



Tlačítka pomocných funkcí se mohou lišit podle modelu stroje.

### • Předpírka

Předepírání je vhodné pro silně ušpiněné prádlo. Bez předpírky šetříte energii, vodu, prací prášek a čas. F1 se zobrazí na displeji, když zvolíte tuto funkci (a).

### • Rychlé praní

Tuto funkci lze využít na programy pro bavlnu a syntetické látky. Snižuje dobu praní pro lehce ušpiněné prádlo i počet máchání.

F2 se zobrazí na displeji, když zvolíte tuto funkci (b).



Když zvolíte tuto funkci, vložte do pračky jen polovinu maximální náplně prádla uvedené v tabulce programů.

### • Extra máchání

Tato funkce umožňuje vašemu zařízení provést další máchání kromě toho, které již proběhlo po hlavním praní. Riziko vlivu zbytků pracího prášku na prádlo se tak u citlivých pokožek (děti, alergie, apod.) snižuje.

F3 se zobrazí na displeji, když zvolíte tuto funkci (c).

### • Bez mačkání

Tato funkce způsobí menší pomačkání prádla při praní. Pohyby bubny se snižují a otáčky ždímní se omezí tak, aby se zabránilo pomačkání. Praní navíc proběhne s vyšším množstvím vody.

F4 se zobrazí na displeji, když zvolíte tuto funkci (d).

### • Stop ve vodě

Pokud nechcete vyjmout prádlo okamžitě po skončení programu, můžete použít funkci podržet máchání a ponechat prádlo ve vodě po posledním máchání, abyste zabránili pomačkání vašich oděvů bez přítomnosti vody. Stiskněte tlačítko Start/Pauza/Zrušit po tomto procesu, pokud chcete vypustit vodu bez ždímní prádla. Program se znovu obnoví a dokončí po vyčerpání vody.

Pokud chcete vyždímat prádlo, které zůstalo ve vodě, zvolte otáčky ždímní a stiskněte tlačítko Start/Pauza/Zrušit. Program se znovu spustí. Voda se odčerpá, prádlo vyždímá a program skončí.

### • Odstranění zvířecích chlupů

Tato funkce napomáhá účinněji odstranit zvířecí chlupy, které ulpí na vašem oblečení.

Po zvolení této funkce se k normálnímu programu přidají kroky předepírání a extra máchání Praní je tedy provedeno s větším množstvím vody (30%) a zvířecí chlupy jsou odstraněny efektivněji.



**VAROVÁNÍ:** Nikdy neperte zvířata v pračce.

## 4.12 Displej s časem

Zbývající čas do ukončení programu se na displeji zobrazí, když je program spuštěný. Čas je zobrazován jako „01:30“ ve formátu hodin a minut.



Doba programu se může lišit od hodnot v tabulce „Program a spotřeba“ v závislosti na tlaku vody, tvrdosti vody a teplotě, teplotě prostředí, množství a typu prádla, zvolených přídatných funkcí a změn v rozvodném napětí.

### Odložený start

Pomocí funkce odloženého startu je možné odložit spuštění programu až o 24 hodin. Čas odloženého startu může být navyšován po 30 minutách.



Když nastavujete odložený čas, nepoužívejte tekutý prací prášek! Hrozí riziko poškození oděvů.

Otevřete dvířka, vložte prádlo a prací prášek, atd. Zvolte prací program, teplotu, rychlost ždímní a případně též pomocné funkce. Zvolte požadovaný čas odloženého startu stiskem tlačítek pro odložený start + nebo -. Symbol odloženého startu bliká. Stiskněte tlačítko Start/Pauza/Zrušit. Spouští se odpočítávání odloženého startu. Symbol odloženého startu svítí. Objeví se symbol startu. „:“ uprostřed času odloženého startu na displeji začne blikat.



Během odpočítávání lze vložit další prádlo. Na konci odpočítávání se objeví symbol odloženého startu, spustí se prací cyklus a čas zvoleného programu se zobrazí na displeji.

### Změna doby pro odložený start

Pokud chcete změnit čas během odpočítávání: Stiskněte tlačítko Start/Pauza/Zrušit. „:“ uprostřed času odloženého startu na displeji přestane blikat. Objeví se symbol pauzy. Symbol odloženého startu bliká. Zmizí symbol startu. Zvolte požadovaný čas odloženého startu stiskem tlačítek pro odložený start + nebo -. Stiskněte tlačítko Start/Pauza/Zrušit. Symbol odloženého startu svítí. Zmizí symbol pauzy. Objeví se symbol startu. „:“ uprostřed času odloženého startu na displeji začne blikat.

### Zrušení funkce odloženého startu

Pokud chcete stornovat odpočítávání zpožděného spuštění a spustit program okamžitě:

Stiskněte tlačítko Start/Pauza/Zrušit. „-“ uprostřed času odloženého startu na displeji přestane blikat. Zmizí symbol startu. Bliká symbol pauzy a odloženého startu. Zkrátke požadovaný čas odloženého startu stiskem tlačítka pro odložený start -. Průběh programu se zobrazí po 30 minutách. Stiskněte tlačítko Start/Pauza/Zrušit, program se



spustí.

### 4.13 Spuštění programu

Stiskněte tlačítko Start/Pauza/Zrušit, program se spustí. Symbol startu zobrazující spuštění programu se zapne. Dvířka pračky jsou zamčená a na displeji se zobrazí symbol zamčení dveří. Symbol kroku, od kterého program začal, se zobrazí na displeji (Předepírání, Hlavní prání, Máchání, Aviváž a Ždímání).

### 4.14 Postup programu

Chod spuštěného programu je zobrazen na displeji řadou symbolů.

Na displeji se zobrazí relevantní symbol na začátku každého kroku programu a všechny symboly zůstanou rozsvícené na konci programu. Nejvzdálenější pravý symbol zobrazuje aktuální krok programu.

#### Předepírání

Pokud je zvolená přídatná funkce Předepírání, na displeji se zobrazí symbol Předepírání ukazující, že začal krok předepírání.

#### Hlavní prání

Symbol Hlavní prání zobrazující, že krok hlavního prání začal, se zobrazí na displeji.

#### Máchání

Symbol Máchání zobrazující, že začal krok máchání, se zobrazí na displeji.

#### Aviváž

Symbol Aviváže zobrazující, že začal krok aviváže, se zobrazí na displeji.

#### Ždímání

Se objeví na začátku závěrečného kroku ždímání a zůstane rozsvícený během speciálních programů Ždímání a Odčerpání.



Pokud zařízení neprojde do kroku ždímání, může být aktivní funkce pozastavení máchání nebo se může aktivovat systém automatické detekce nevyváženosti nákladu z důvodu nerovnoměrného rozmístění prádla v pračce.

### 4.15 Zámek vkládacích dveří

Na dveřích je systém zámku, který brání otevření dveří v případech nevhodné hladiny vody.

Symbol zamčení dveří se zobrazí, když jsou dvířka pračky zamčená. Tento symbol bude blikat, dokud nejsou dvířka pračky připravená k otevření, když je program ukončen nebo je přístroj pozastaven. V tomto kroku neotvírejte dvířka pračky silou. Symbol zmizí, když jsou dvířka pračky připravená k otevření. Když symbol zmizí, můžete dvířka

pračky otevřít.

### 4.16 Změna volby po spuštění programu

#### Přepnutí pračky do režimu pauzy

Stiskněte tlačítko Start/Pauza/Zrušit pro přepnutí pračky do režimu Pozastavení. Symbol Pozastavení se objeví na displeji a zobrazuje, že je přístroj pozastaven. Zmizí symbol startu.

#### Změna rychlosti a teploty pro pomocné funkce

Podle toho, jaký krok program dosáhl, můžete zrušit nebo aktivovat pomocné funkce; viz "Volba pomocných funkcí". Můžete také změnit nastavení otáček a teploty; viz "Volba otáček ždímání" a "Volba teploty".

#### Přidávání nebo vyndávání prádla

Stiskněte tlačítko Start/Pauza/Zrušit pro přepnutí pračky do režimu Pozastavení. Kontrolka sledování programu, z něhož bylo zařízení přepnuto do režimu pauzy, bude blikat. Počkejte, až bude možné otevřít dveře. Otevřete dveře a přidejte nebo vyndejte prádlo. Zavřete vkládací dveře. Proveďte změny pomocných funkcí, teploty a nastavení otáček podle potřeby. Stiskněte tlačítko Start/Pauza/Zrušit, přístroj se zapne.



Dvířka pračky se neotevřou, pokud je teplota uvnitř vysoká nebo je hladina vody nad dveřním otvorem.

### 4.17 Dětský zámek

Pomocí funkce dětského zámku zabráníte dětem, aby si hrály se strojem. Tím můžete předejít změnám v aktuálním programu.



Přístroj můžete zapnout a vypnout tlačítkem Zap/Vyp, když je dětský zámek aktivní. Když přístroj znovu zapnete, program bude pokračovat tam, kde skončil.

### Spuštění dětského zámku:

Stiskněte a přidržte tlačítko 2. a 4. pomocné funkce na dobu 3 sekund. Na displeji se zobrazí „Con“.



To samé se na displeji zobrazí, když stisknete jakékoli tlačítko při aktivovaném dětském zámku.

### Vypnutí dětského zámku:

Stiskněte a přidržte tlačítko 2. a 4. pomocné funkce na dobu 3 sekund. Na displeji se zobrazí „COFF“.



Nezapomeňte vypnout dětský zámek na konci programu, pokud byl aktivován. Jinak vám přístroj neumožní zvolit nový program.

### 4.18 Stornování programu

Stiskněte a držte tlačítko Start/Pauza/Zrušit po dobu 3 sekund. Začne blikat symbol startu. Symbol kroku, při kterém byl program zrušen, zůstane rozsvícený. "Na displeji se objeví „End“ (Konec) a program je zrušen.



Pokud chcete otevřít dvířka pračky poté, co jste zrušili program, ale není to možné, protože je hladina vody nad dveřním otvorem, otočte knoflíkem pro volbu programu na program Čerpání+Ždímání a vypusťte vodu z přístroje.

### 4.19 Pračka je v režimu Pozastavení máchání

Bliká symbol Ždímání a symbol Pauzy je rozsvícený, když je pračka v režimu Pozastavení máchání.

Pokud chcete své prádlo vyždímat, když je pračka v tomto režimu:

Nastavte rychlost ždímání a stiskněte tlačítka Start/Pauza/Zrušit. Zmizí symbol Pauzy a objeví se symbol Startu.

Program pokračuje, vypustí vodu a vyždímá prádlo.

Pokud chcete pouze vypustit vodu bez ždímání:

Pouze stiskněte tlačítko Start/Pauza/Zrušit. Zmizí symbol pauzy. Objeví se symbol startu. Program pokračuje a vypustí pouze vodu.

### 4.20 Konec programu

Na displeji se zobrazí „End“ (Konec) na konci programu.

Symboly kroků programu zůstanou rozsvícené. Přídatná funkce, rychlost ždímání a teplota, které jste zvolili na začátku programu, zůstanou vybrané.

## 4.21 Váš spotřebič je vybaven "Pohotovostním režimem".

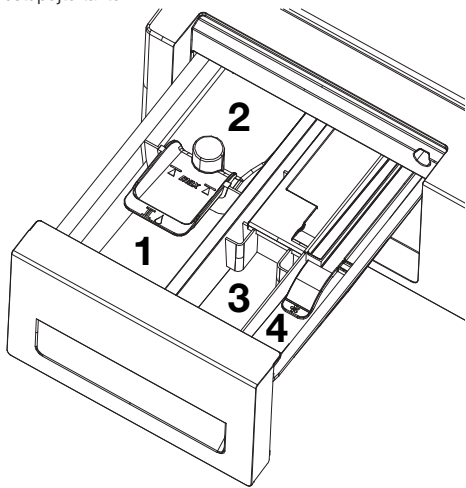
V případě, že se žádný program nespustí nebo že čekáte aniž byste provedli jakoukoli činnost v době, kdy je přístroj zapnutý pomocí tlačítka Zap./Vyp. a zatímco jde o krok výběru nebo není-li provedena žádná volba zhruba do 2 minut po programu, který si zvolíte, skončí, váš přístroj se automaticky přepne do úsporného režimu. Jas kontrolky se sníží. Rovněž, je-li váš produkt vybaven displejem, na kterém se zobrazí průběh programu, tento displej se zcela vypne. V případě otáčení tlačítkem pro výběr programu nebo stisknutí libovolného tlačítka se kontrolky vrátí do svého předchozího stavu. Vaše výběry provedené během úsporného režimu se mohou změnit. Před spuštěním programu zkontrolujte vhodnost svých výběrů. V případě potřeby znovu nastavte. Toto není chyba.

## 5 Údržba a čištění

Životnost výrobku se prodlouží a časté problémy se ani nevyskytnou, pokud provádíte pravidelné čištění.

### 5.1 Čištění přihrádky na prostředek

Odstraňte nahromaděné zbytky prášku v přihrádce. Postupujte takto:



Můžete vyjmout přihrádku na prostředek tak, že ji pevně vytáhnete k sobě.



Pokud v přihrádce na aviváže zůstává větší množství aviváže a tekutého prášku, je nutno vyčistit sifon.

Umyjte přihrádku a sifon dostatečným množstvím vlažné vody v umyvadle. Používejte ochranné rukavice nebo použijte vhodný kartáč, abyste se nedotýkali zbytků v přihrádce během čištění. Přihrádku po vyčištění vraťte na místo. Zkontrolujte, zda je sifon v původním místě.

### 5.2 Čištění vkládacích dvířek a bubnu

Zbytky aviváže, pracího prášku a nečistot se mohou nahromadit v pracíce a mohou způsobovat nepříjemný zápach a nekvalitní praní. Abyste tomu předešli, použijte program **čištění bubny**. Pokud váš výrobek neobsahuje program **čištění bubny**, použijte program Bavlna-90 a

zvolte pomocné funkce **Více vody** nebo **Extra máchání**. Program Než spustíte program, vložte max. 100 g prášku proti vodnímu kameni do prostoru pro hlavní praní (příhrádka č. 2). Pokud je přípravek proti vodnímu kameni v podobě tablety, vložte jen jednu tabletu do prostoru č. 2. Vnitřek vysušte čistým hadříkem, jakmile program skončí.

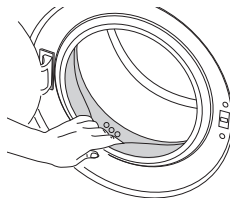


Proces čištění bubny opakujte každé 2 měsíce.



Použijte přípravek proti vodnímu kameni vhodný pro pračky.

Po každém praní zkontrolujte, zda v bubnu nezůstaly žádné cizí látky.



Pokud se zablokují otvory ve spodní části uvedené na obrázku, odstraňte jejich zablokování párátkem.



Cizí kovové předměty způsobí skvrny od rzi na bubnu. Skvrny na povrchu bubny odstraňte čistidly na nerezavějící ocel. Nikdy nepoužívejte ocelovou vlnu nebo drátěnku.



**VAROVÁNÍ:** Nikdy nepoužívejte houbičky nebo hrubé materiály. Ty by mohly poškodit lakované a plastové povrchy.

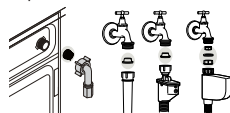
### 5.3 Čištění trupu a ovládacího panelu

Trup pračky umývejte mýdlovým roztokem nebo nekorozivním jemným gelovým čistidlem a usušte měkkým hadříkem.

Ovládací panel čistěte jen měkkým a navlhčeným hadříkem.

### 5.4 Čištění vstupního filtru vody

Na konci každého vstupního ventilu na zadní straně stroje je filtr stejně jako na konci každé přívodní hadice v místě připojení ke kohoutku. Tyto filtry brání ve vstupu cizích předmětů a nečistoty z vody do pračky. Filtry je nutné vyčistit, když se usínají.



1. Zavřete kohoutky.
2. Sejměte matice hadic pro přívod vody pro přístup k filtrům na vstupních vodovodních ventilech. Vyčistěte je vhodným kartáčem. Když jsou filtry hodně špinavé, můžete je vytáhnout kleštěmi a vyčistit.
3. Vyměňte filtry na plochem konci přívodních hadic společně s těsněním a vyčistěte je důkladně pod tekoucí vodou.
4. Vraťte těsnění a filtry opatrně zpět na místa a utáhněte matice hadic rukou.

## 5.5 Odčerpání zbytkové vody a čištění filtru čerpadla

Filtrační systém vaší pračky brání tomu, aby lopatky čerpadla při odčerpávání vody zablokovaly předměty jako knoflíky, mince a části látky. Voda se pak odčerpá bez problémů a životnost čerpadla se prodlouží.

Pokud vaše pračka neodčerpává vodu, může být ucpaný filtr čerpadla. Filtr je nutno čistit při zanesení nebo každé 3 měsíce. Před čištěním filtru čerpadla je nutné odčerpat vodu. Navíc, před přepravou stroje (např. při stěhování) nebo v případě zamrznutí vody může být nutné vyčerpat veškerou vodu.



**VAROVÁNÍ:** Cizí předměty, které zůstanou ve filtru čerpadla, mohou poškodit výš přístroj nebo způsobit potíže s hlučností.

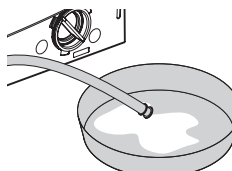
Pro vyčištění špinavého filtru a odčerpání vody:

1. Odpojte pračku ze sítě.



**VAROVÁNÍ:** Teplota vody v pračce může vystoupat až na 90 °C. Aby nedošlo k popálení, je nutno čistit filtr poté, co voda v pračce ochladne.

Vypouštění vody u přístroje s hadicí pro nouzové vypouštění vody:



- Vytáhněte nouzovou odpadní hadici z jejího umístění
- Na konec hadice připravte velkou nádobu. Odčerpejte vodu do nádoby tak, že vytáhnete zátku na konci hadice. Když je nádoba plná, zablokujte výstup hadice znovu zátkou. Po vyprázdnění nádoby opakujte tento postup pro úplné vyčerpání vody z přístroje.
- Po vyčerpání vody uzavřete konec znovu zátkou a upevněte hadici na místo.
- Otočte filtr čerpadla a vyjměte jej.

## 6 Technické parametry

<b>Shoda se směrnicí Komise (EU) č. 1061/2010</b>	
Jméno dodavatele nebo obchodní známka	Beko
Jméno modelu	WMI 71242
Jmenovitá kapacita (kg)	7
Třída energetické účinnosti / Od A+++ (nejvyšší účinnost) po D (nejnižší účinnosť)	A++
Roční spotřeba energie (kWh) <sup>(1)</sup>	194
Spotřeba energie při standardním programu bavlna 60 °C při plné zátěži (kWh)	1.001
Spotřeba energie při standardním programu bavlna na 60°C při částečném naplnění (kWh)	0.838
Spotřeba energie při standardním programu bavlna 40 °C při částečné zátěži (kWh)	0.652
Spotřeba energie v režimu vypnuto (W)	0.200
Spotřeba energie v režimu „ponecháno v zapnutém stavu“ (W)	1.000
Roční spotřeba vody (l) <sup>(2)</sup>	9020
Třída účinnosti odšťavňování / Od A (nejvyšší účinnost) po G (nejnižší účinnost)	B
Maximální otáčky ždímání (ot/min)	1200
Zbývající obsah vlhkosti (%)	53
Standardní program na bavlnu <sup>(3)</sup>	Bavlna Eco 60 °C a 40 °C
Délka programu při standardním programu bavlna 60°C při plné zátěži (min)	160
Délka programu při výběru standardního programu na bavlna na 60°C při částečném naplnění (min.)	145
Délka programu při standardním programu bavlna 40°C při částečné zátěži (min)	130
Délka režimu „ponecháno v zapnutém stavu“ (min)	N/A
Vzduchem šířené akustické emise při praní / ždímání (dB)	51/65
Zabudované	Oi
Výška (cm)	82
Šířka (cm)	60
Hloubka (cm)	54
Čistá hmotnost (±4 kg.)	72
Jednoduchý přívod vody / Dvojitý přívod vody	• / -
• K dispozici	
Elektrický příkon (V/Hz)	230 V / 50Hz
Celkový proud (A)	10
Celkový výkon (W)	2200
Kód hlavního modelu	8811
<sup>(1)</sup> Spotřeba energie na základě 220 standardních pracích cyklů pro programy bavlna na 60°C a 40°C při plném a částečném naplnění a spotřeba při úsporném režimu. Skutečná spotřeba energie závisí na způsobu používání spotřebiče.	
<sup>(2)</sup> Spotřeba vody na základě 220 standardních pracích cyklů pro programy bavlna na 60°C a 40°C při plném a částečném naplnění. Skutečná spotřeba vody závisí na způsobu používání spotřebiče.	
<sup>(3)</sup> "Standardní program bavlna na 60°C" a "standardní program bavlna na 40°C" jsou standardní programy a informace k nim naleznete na štítku a nálepkách a tyto programy jsou vhodné pro praní běžně znečištěného bavlněného prádla a jde o neúčinnější programy co do kombinace spotřeby energie a vody.	
Technické parametry se mohou změnit bez předchozího upozornění, za účelem zvyšování kvality výrobku.	

## 7 Odstraňování potíží

### Program nelze spustit nebo zvolit.

- Pračka se přepla do režimu vlastní obrany vlivem závady na přívodu (například napětí, tlak vody, atd.). >>> *Stiskněte a přidržte tlačítko Start/Pauza po dobu 3 sekund, čímž vrátíte pračku na nastavení od výrobce. (viz „Zrušení programu“)*

### Voda v pračce.

- Ve výrobku mohla zbyť trocha vody z důvodu procesů kontroly kvality ve výrobě. >>> *Nejde o závadu; voda není pro přístroj škodlivá.*

### Přístroj vibruje nebo je hlučný.

- Stroj možná stojí nevyváženě. >>> *Upravte výšku nožek pro vyrovnání stroje.*
- Do filtru čerpadla možná pronikl tvrdý předmět. >>> *Vyčistěte filtr čerpadla.*
- Neodstranili jste bezpečnostní šrouby pro přepravu. >>> *Odstraňte přepravní bezpečnostní šrouby*
- V pračce je možná příliš málo prádla. >>> *Přidejte do pračky více prádla.*
- Stroj je možná příliš naplněn prádlem. >>> *Vyjměte část prádla ze stroje a rozložte prádlo rukou tak, abyste je rovnoměrně rozprostřeli po zařízení.*
- Stroj se možná opírá o tvrdý předmět. >>> *Zkontrolujte, zda se zařízení o nic neopírá.*

### Stroj se zastaví krátce po spuštění programu.

- Stroj se může dočasně zastavit kvůli nízkému napětí. >>> *Jakmile se napětí vrátí na normální úroveň, začne znovu pracovat.*

### Časovač programu neprovádí odpočítávání. (U modelů s displejem)

- Časovač se mohl zastavit během napouštění vody. >>> *Ukazatel časovače nebude odpočítávat, dokud stroj nenabere dostatečné množství vody. Pračka vyčkává na dostatečné množství vody, aby se předešlo nesprávným výsledkům praní vlivem nedostatečného množství vody. Ukazatel časovače pak obnoví odpočítávání.*
- Časovač se mohl zastavit během ohřívání. >>> *Ukazatel časovače neprovede odpočítávání, dokud stroj nedosáhne zvolené teploty.*
- Časovač se mohl zastavit během ždímání. >>> *Systém automatické detekce nevyváženého nákladu se mohl spustit z důvodu nerovnoměrného rozložení prádla v bubnu.*
- Přístroj se nepřepne na ždímání, když prádlo není rovnoměrně rozloženo v bubnu, brání se tím poškození stroje a jeho okolí. Prádlo znovu rozložte a opakujte ždímání.

### Z přihrádky na prášek vytéká pěna.

- Použili jste příliš mnoho čisticího prostředku. >>> *Namíchejte 1 lžičku aviváže a 1/2 litru vody a nalijte ji do zásuvky na hlavní praní v zásuvce na čisticí prostředek.*
- Dejte prací prostředek do přístroje vhodný pro programy a maximální náplně uvedené v tabulce „Program a spotřeba“. Pokud používáte přídavné chemikálie (odstraňovače skvrn, bělidla atd.), snižte množství pracího prostředku.

### Na konci programu zůstává prádlo vlhké

- Mohla se vytvořit nadměrná pěna a mohl se aktivovat systém automatické absorpce pěny následkem použití příliš velkého množství pracího prostředku. >>> *Použijte doporučené množství pracího prostředku.*
- Přístroj se nepřepne na ždímání, když prádlo není rovnoměrně rozloženo v bubnu, brání se tím poškození stroje a jeho okolí. Prádlo znovu rozložte a opakujte ždímání.



**VAROVÁNÍ:** Pokud problém neodstraníte, ačkoli jste použili pokyny v tomto oddíle, kontaktujte prodejce nebo zástupce autorizovaného servisu. Nikdy se nesnažte opravit nefunkční výrobek sami.





